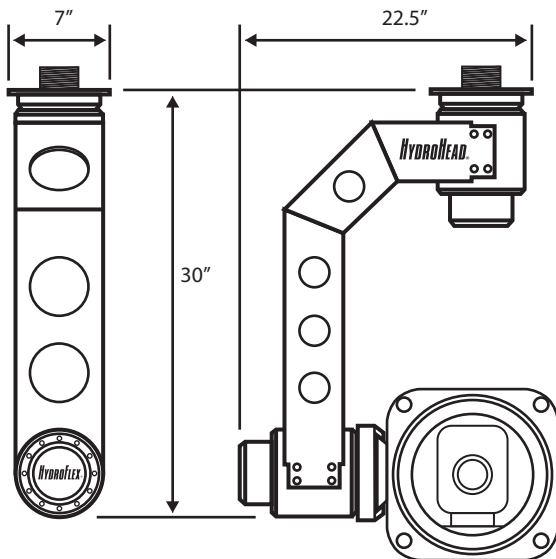


HYDROHEAD®



Specifications

Max Operating Depth:	150 ft.
Weight in Air:	52 lbs.
Weight in Water:	45 lbs.
Power Requirement:	110/240VAC or 48VDC

The HydroHead from HydroFlex, Inc. is a waterproof remote pan and tilt head. It is the perfect compliment to our RemoteAquaCam Housing. The HydroHead's light weight and low profile, combined with the tubular hydrodynamics of the RemoteAquaCam, allow this system to glide through the water with less resistance than anything else available.

Our 2-axis analog head uses underwater mateable connectors and is depth rated to 150'. An optional "L" bracket allows mounting virtually any camera package in one of our custom splash bags for surface wet work.

The HydroHead system uses Power Pod electronics and offers operator familiarity and years of dependable, in the field experience.



HYDROFLEX®