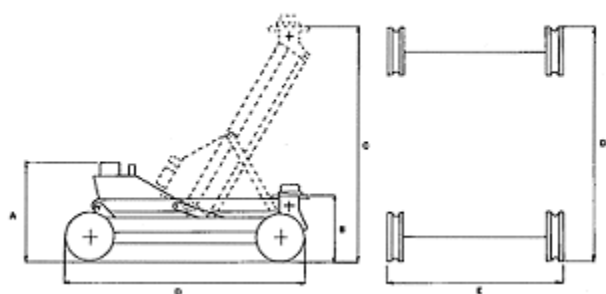


specifications

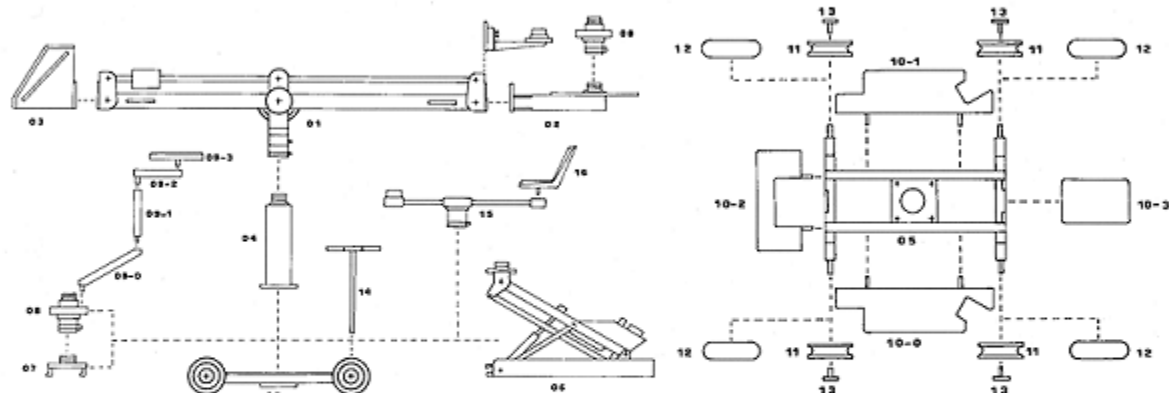


GOBLINDOLLY

Specifications

Minimum Height (A) 18 in.
 Minimum Height (B) 11 ½ in.
 Maximum Height (C) 39 in.
 Maximum Width (D) 39 in.
 Minimum Width (E) 28 in.
 Lifting capacity recommended 110 lbs.

Maximum working pressure 120 bar
 Minimum working pressure 50 bar
 Number of arm lifts 3 lifts
 Arm weight 86 lbs
 Bogie Weight 75 lbs
 Accumulator Charging time 54 sec



The Goblin System

01 Arm Kg 56.00
 02 Shelf Kg 8.00
 002 Minijib bracket Kg 6.00
 03 Weights container Kg 19.50
 04 Column Kg 9.30
 05 Dolly Kg 19.20
 06 Hydraulic arm Kg 39.20
 07 Extension base Kg 3.80
 08 Rotating Turret Kg 6.40
 09-0 Seat arm Kg 0.07
 09-1 Vertical Extension arm Kg 0.90
 09-2 Horizontal arm Kg 0.80

09-3 Circular seat Kg 1.60
 10.0 Right Platform Kg 2.50
 10-1 Left Platform Kg 2.50
 10.2 Forward platform Kg 1.70
 10-3 central Platform (n°2) Kg 2.00
 11 Railtrack wheels Kg 7.50
 12 Pneumatic wheels Kg 7.60
 13 Wheels' locking handles Kg 0.70
 14 Steering-wheelbar Kg 2.30
 15 Tv camera swivelling bracket Kg 16.50
 16 Seat with backrest kg 3.40