



RENOIR 5.000 W Quartz Halogen Broadlight



Mod. 3140

FEATURES

PHYSICAL

- Brushed stainless steel construction
- Double wall & internal baffle ventilation enables lighting base down to 60° from vertical position
- Finished with a high temperature, heat resistant black powder coat epoxy paint
- Locking rear knob protected by a safety cover for easy re-lamping
- Equipped with a heavy duty tubular skid
- Supplied with a stainless steel wireguard
- Integral barndoor holder with safety catch
- Flat aluminum yoke with 5/8" receiver
- Heavy duty tubular steel yoke which holds fixtures rigidly in any position
- Clutch activated T-handle for secure, single hand operation
- UL Listed

POLE OPERATED VERSION

Pole operated yoke constructed from precision die cast parts & steel tubing allowing for control of the pan & tilt All movement using the pole operated colorcoded cups is clutch controlled and capable of manual movement of the unit

ELECTRICAL 115-240V, 50/60Hz

12/3 SO 90° type cable

Twelve foot (12') standard lead & 45 amp built-in on/off toggle switch on stand mount version only

Six foot (6') standard lead on studio & pole operated versions

LAMP 5000w Maximum

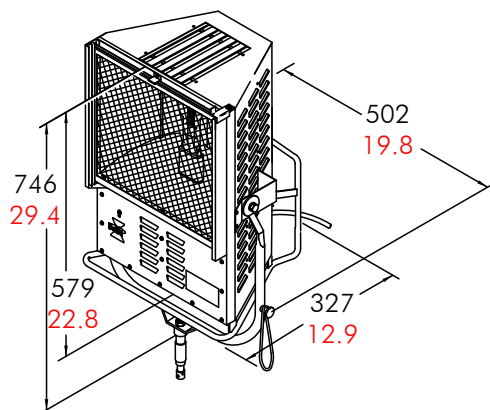
G38 bi-post socket for long life Tungsten halogen lamps (see table for suitable lamps)

OPTICAL

Specially designed reflector with optics that produce a 90° beam spread of flat even light across the entire field

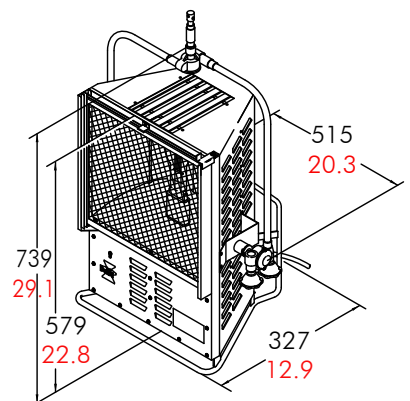
DIMENSIONS AND WEIGHT

Dimensions in mm.
Dimensions in inches



M.O. version 13,93 kg
30.7 lbs

Dimensions in mm.
Dimensions in inches



P.O. version 15,01 kg
33.1 lbs

PHOTOMETRIC DATA

Values measured with: CP 85 Lamp									
		FEET				METERS			
TYPICAL DISTANCES		30'	40'	50'	60'	8,0	12	15	18
LIGHT CENTER VALUES	Candle Power	Footcandles				Lux			
	56.250	63	35	23	16	879	319	250	174
BEAM ANGLE Width x Height		F.C. AT ANY DISTANCE = Candle Power : (distance in ft) ²				LUX. AT ANY DISTANCE = Candle Power : (distance in ft) ²			
		BEAM SIZE (W x H in feet)				BEAM SIZE (W x H in meters)			
WIDTH	80,0°	50.3'	67.1'	83.9'	100.7'	13,4 mt	20,1 mt	25,2 mt	30,2 mt
HEIGHT	89,0°	59.0'	78.6'	98.3'	117.9'	15,7 mt	23,6 mt	29,5 mt	35,4 mt

VERSIONS & MODEL NUMBERS

*Renoir 5000 W***Mod. Description**

3140.MP	Stand Mount version w/ 12' lead and 20 amp built-in on/off toggle switch
3140.ST	Studio version w/ 6' lead & brass c-clamp included – without switch
3141/PO/ST	Pole operated studio version w/ 6' lead & brass c-clamp included—without switch

*Connector Designations***Mod. Description**

60PC-M	Parallel-blade U-ground connector
3763C	Two-pin & ground, 20 amp connector

*Accessories***Mod. Optional & Accessories**

2746.200	Eight leaf barndoor
2749.100	Four piece stainless steel scrim set
2747.100	Outrigger colorframe
2747.110	Outrigger colorframe holding kit
1800	Mini aluminium c-clamp
91.200	Solid brass c-clamp
DGP-A110	Combo stand w/ lazy leg, 1" socket & spigot
DGP-A9000	Caster wheel set with 4" diameter, braked
IFF - 3858	Telescopic operating pole 4'/6'/10'/13'
IFF – 3860	Telescopic operating pole 8'/16'/24'