



# RENOIR 2.000 W Quartz Halogen Broadlight



*Mod. 3160*

## FEATURES

### PHYSICAL

- Brushed stainless steel construction
- Double wall & internal baffle ventilation enables lighting base down to 60° from vertical position
- Finished with a high temperature, heat resistant black powder coat epoxy paint
- Locking rear knob protected by a safety cover for easy re-lamping
- Equipped with a heavy duty tubular skid
- Supplied with a stainless steel wireguard
- Integral barndoor holder with safety catch
- Flat aluminum yoke with 5/8" receiver
- Clutch activated T-handle for secure, single hand operation
- UL Listed

### POLE OPERATED VERSION

Pole operated yoke constructed from precision die cast parts & steel tubing allowing for control of the pan & tilt All movement using the pole operated colorcoded cups is clutch controlled and capable of manual movement of the unit

### ELECTRICAL 115-240V, 50/60Hz

1 4/3 SO 90° type cable

Twelve foot (12') standard lead & 20 amp built-in on/off toggle switch on stand mount version only

Six foot (6') standard lead on studio & pole operated versions

### LAMP 2000w Maximum

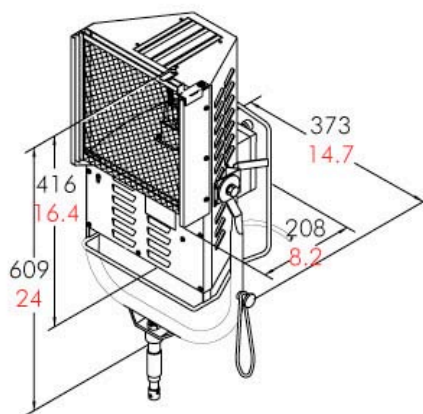
G38 bi-post socket for long life Tungsten halogen lamps (see table for suitable lamps)

### OPTICAL

Specially designed reflector with optics that produce a 90° beam spread of flat even light across the entire field

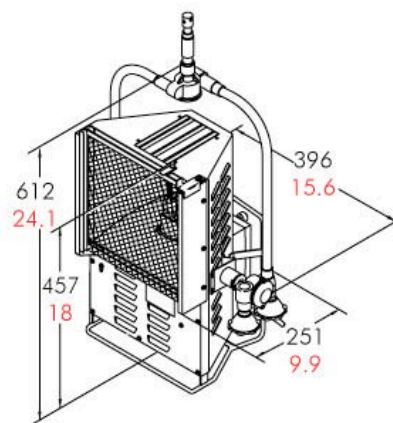
## DIMENSIONS AND WEIGHT

Dimensions in mm.  
Dimensions in inches



M.O. version 7,48 kg  
16.5 lbs

Dimensions in mm.  
Dimensions in inches



P.O. version 8,57 kg  
18.9 lbs

## PHOTOMETRIC DATA

Values measured with: CP 73 Lamp									
		FEET				METERS			
TYPICAL DISTANCES		10'	20'	30'	40'	3,0	6,0	9,0	12
LIGHT CENTER VALUES	Candle Power	Footcandles				Lux			
	22.250	223	56	25	14	2.472	618	275	155
BEAM ANGLE Width x Height		F.C. AT ANY DISTANCE = Candle Power : (distance in ft) <sup>2</sup>				LUX. AT ANY DISTANCE = Candle Power : (distance in ft) <sup>2</sup>			
		BEAM SIZE (W x H in feet)				BEAM SIZE (W x H in meters)			
WIDTH	84,0°	18.0'	36.0'	54.0'	72.0'	5,4 mt	10,8 mt	16,2 mt	21,6 mt
HEIGHT	85,0°	18.3'	36.7'	55.0'	73.3'	5,5 mt	11,0 mt	16,5 mt	22,0 mt

## VERSIONS &amp; MODEL NUMBERS

*Renoir 2000 W***Mod. Description**

3130.MP	Stand Mount version w/ 12' lead and 20 amp built-in on/off toggle switch
3130.ST	Studio version w/ 6' lead & brass c-clamp included – without switch
3131/PO/ST	Pole operated studio version w/ 6' lead & brass c-clamp included—without switch

*Connector Designations***Mod. Description**

5965VBLK	Parallel-blade U-ground connector
20PC-M	Two-pin & ground, 20 amp connector
L5-20P	Grounded, 20 amp, twistlock connector

*Accessories***Mod. Optional & Accessories**

2736.200	Eight leaf barndoor
2739.100	Four piece stainless steel scrim set
2737.100	Outrigger coloroframe
2737.110	Outrigger coloroframe holding kit
1800	Safety cable
91.200	Solid brass c-clamp
DGP-A110	Combo stand w/ lazy leg, 1" socket & spigot
DGP-A9000	Caster wheel set with 4" diameter, bracket
IFF - 3858	Telescopic operating pole 4'/6'/10'/13'
IFF – 3860	Telescopic operating pole 8'/16'/24'