



GOYA 400 W Compact Daylight BROADLIGHT



Mod. 2710

FEATURES

SPECIFICATIONS:

Compact HMI Open Face PAR

PHYSICAL:

- Brushed stainless steel anti-magnetic construction for noise reduction
- Double wall & internal baffle ventilation enables lighting base down to 60° from vertical position
- Finished with silver gray, high temperature, anti-scratch powder coat paint
- Locking rear knob protected by a safety cover for easy re-lamping
- Equipped with heavy duty rear & bottom mounted tubular skids
- Supplied with a UV safety glass & stainless steel wireguard
- Spring loaded integral barndoor holder with safety catch
- Flat aluminum yoke with 5/8" receiver
- Clutch activated T-handle for secure, single hand operation
- UL Listed

ELECTRICAL 115-240V, 50/60Hz

- Twelve foot (12') attached head to ballast cable
- Equipped with silent igniters to operate from electronic or magnetic ballasts
- Weatherproof on/off push buttons
- IP23 rain tested

LAMP 400w Maximum

- High voltage insulated G38 9.5 bi-pin socket for single ended HMI lamps (see table for suitable lamps)
- Capable of hot re-strike
- Collar clamping holds lamp firmly without stressing the electrical contacts

OPTICAL/ FOCUS MECHANISM

- Specially designed reflector with optics that produce a 90° beam spread of flat even light across the entire field

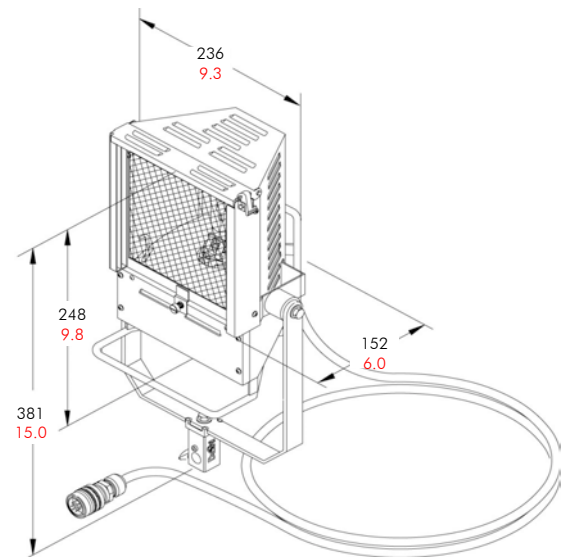
PHOTOMETRIC DATA

Values measured with MSR 400 HR					
		METERS			
TYPICAL DISTANCES		3 mt	6 mt	9 mt	12 mt
Candle Power		Lux			
LIGHT CENTER VALUE	8.500	944	236	105	59
BEAM ANGLE Width x Heigth		LUX. AT ANY DISTANCE = Candle Power : (distance in ft) ² BEAM SIZE (W x H in meters)			
WIDTH	96°	67	13,3	20,0	26,7
HEIGHT	87°	5,7	11,4	17,1	22,8

Values measured with MSR 400 W					
		FEET			
TYPICAL DISTANCES		10'	20'	30'	40'
Candle Power		Footcandles			
LIGHT CENTER VALUE	8.500	85	21	9	5
BEAM ANGLE Width x Heigth		LUX. AT ANY DISTANCE = Candle Power : (distance in ft) ² BEAM SIZE (W x H in meters)			
WIDTH	96°	22.2	44.4	66.6	88.8
HEIGHT	87°	19.0	38.0	56.9	75.9

ORDERING INFORMATION

MOD.	DESCRIPTION
2710	HMI broadlight with 12' attached head to ballast cable and flat aluminum yoke with 5/8" receiver
2710.600/S	System with 12' attached head to ballast cable, flat aluminum yoke with 5/8" receiver, eight leaf barndoor, DEB 200/400w dual power flicker free electronic ballast and 25' head to ballast extension cable
2710.610/S/L	System with 12' attached head to ballast cable, flat aluminum yoke with 5/8" receiver, eight leaf barndoor, DEB 200/400w dual power flicker free electronic ballast, 25' head to ballast extension cable and 400MSR lamp
2710.680/K/S/L	Kit with 12' attached head to ballast cable, flat aluminum yoke with 5/8" receiver, eight leaf barndoor, DEB 200/400w dual power flicker free electronic ballast, 25' head to ballast extension cable, 400MSR lamp and fly case for entire kit



Dimensions in mm
Dimensions in inches

ACCESSORIES

MOD.	DESCRIPTION
2475.200	A.C. DEB 200/400w dual flicker free electronic ballast, automatic main input selection 95/135v and 185/265v, 50/60Hz, low noise and 35% dimming capability, with 6' detachable main cable (MIL connector)
2716.200	Eight leaf barndoor
2714.100	Black reflector kit
2714.200	White reflector kit
2719.100	Four piece stainless steel scrim set
2710/2	Diffuser glass
91.303	Mini aluminum c-clamp
2710.601	Fly case for 2710.680/K/S/L kit
2208.100	Cable head to ballast 200/400w, 8'
2208.200	Cable head to ballast 200/400w, 25'
DGP-A625B	Avenger Midi Kit Stand