



GOYA 2,5/4 kW

Dual Power – DAYLIGHT BROAD-LIGHT



Mod. 2740

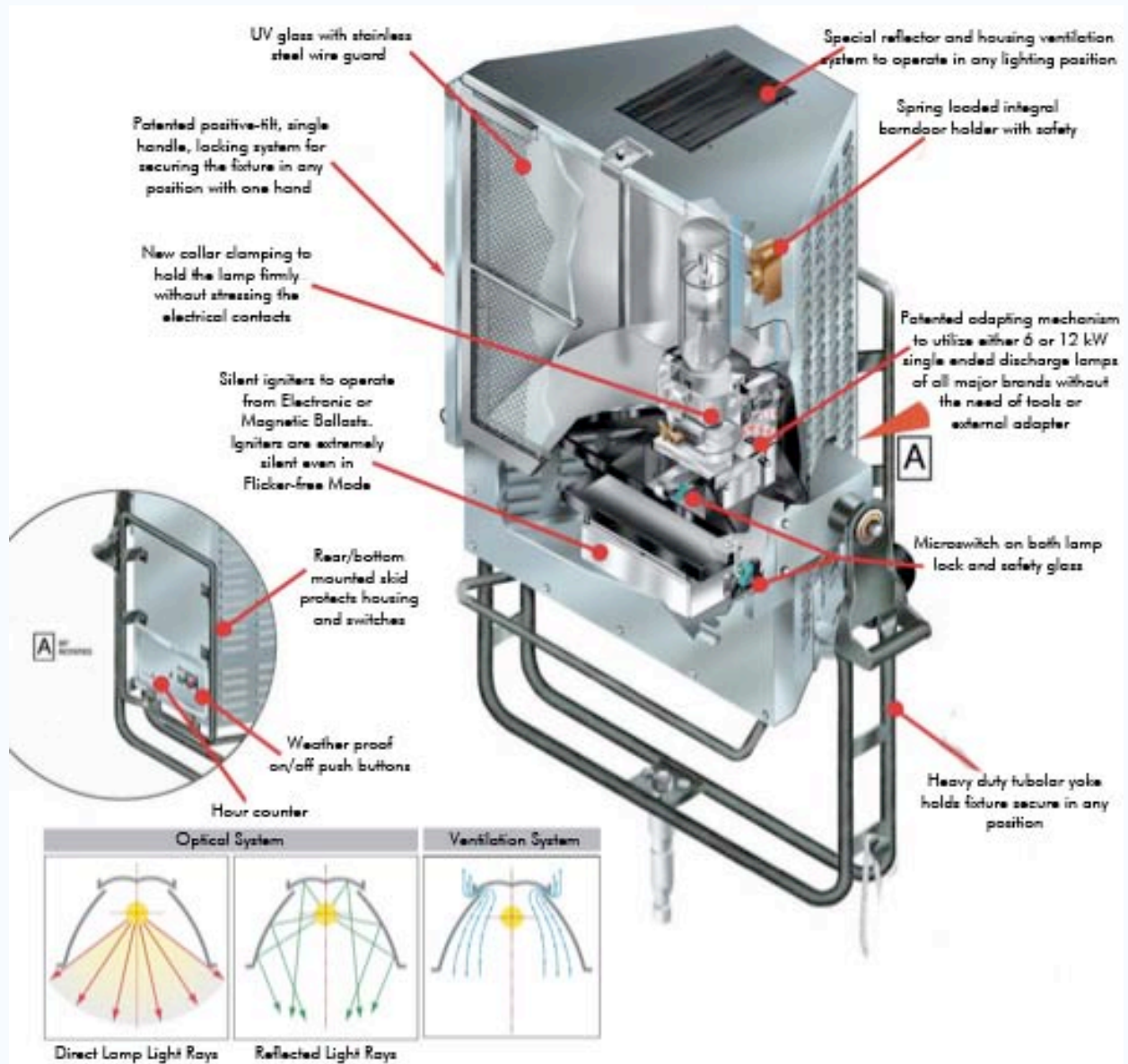
FEATURES

- Compact, highly efficient the GOYA 2500/4000 W is a dual power BROAD LIGHT FOR Single ended Hot Re-strike metal halide discharge lamps of either 2500 W or 4000 W.
- In its standard configuration the GOYA provides an extremely wide lighting beam with an homogeneous field and high lighting efficiency, to permit a spread range of applications (for instance: base set light for large scenes to be illuminated at close distances, cyclorama or backgrounds, audience base lighting, large floor lighting, facedes lighting and so on), plus the ability to combine with front diffusing banks (like CHIMERA) and obtain a large homogeneous SOFT SOURCE.
- SHADOWLIGHT: a special kit of BLACK "REFLECTORS" is available to be assembled within the fixture, in order to have a single point SOURCE (with this special setting, only the direct light emitted from the lamp is visible) and obtain very sharp and defined SHADOWS PROJECTIONS, offering the LIGHTING DESIGNERS the added flexibility of multifunction from a single lighting fixture.
- Front high quality, shock resistant, UV STOP glass with front protection stainless steel wire guard.
- Rugged and Lightweight Stainless Steel housing with low glare Silver High Temperature (530°C) resistant powder coating, with internal double walls and reinforces.
- High efficiency convection cooling. The cooling system is designed to allow the continuous operation of the GOYA in stip TILT Angles.
- Heavy-duty G-38 bi-post socket for Discharge Lamps (High Voltage Rating), with lever activation and special contacts for homogeneous current distribution over lamp's pins.
- The accessories are secure regardless of the orientation of the fixture. Accessories have been designed for one hand installation.

CHARACTERISTICS AND PERFORMANCE DATA

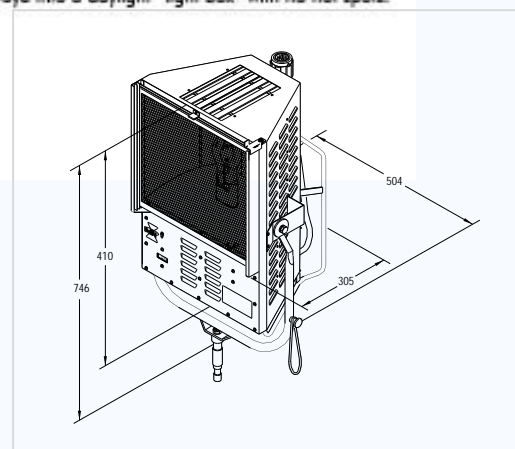
DESCRIPTION	VALUE		
↻ Amperage	See lamp data (from ballast to head) or ballast manual (supply to ballast)		
↻ MAX Ignition voltage (hot lamp)	≈ 50 KV (2500 W lamp) - ≈ 55 KV (4000 W lamp)		
↻ Connections to ballast (Standard version)	Ballast type	2500 w lamp	4000 w lamp
	DEB 2,5 k	Adaptor 2341.100	DO NOT CONNECT
	DEB 4 k	Direct	Direct
	DEB 2,5 \ 4 k	Direct -4 k socket	Direct -4 k socket
	Magnetic 2,5	Adaptor 2341.100	DO NOT CONNECT
↻ Connector type	Standard Version	Special Version (*)	
	9 Pin 24-11 Male with ring nut - Type : Bayonet 3 ramps	7 pin (6 M - 1 F) with threaded ring nut - Type : German std M3	
↻ Lamp Holder	G38 High Voltage with lever clamping system.		
↻ Power Cable (from fixture to ballast)	3x4 mm ² + 4x 1 mm ² - Rubber , for rough service		
↻ Protection Class	Class 1- ground connection required through ballast		
↻ Protection Type	IP 22		
↻ Max Housing surface temperature	180 °C		
↻ Weight of Fixture	17,33 Kg		
↻ Weight of barndoor	4,2 kg.		

(*) = Special version with German std M3 connector are available only on special request and shall be used with special ballast and extension cables for connector compatibility .



The Goya Daylight Broadlight Range was the first of its kind in the industry. The Goya is a multipurpose fixture offering a 90 degree beam spread (approximately 1 1/2 times wider than any Daylight Fresnel) that can operate in any position. The Goya is utilized when a flat, even field is required at closer ranges and has remarkable barn door cut-off. The addition of the new diffusion glass allows the unit to act as a softer, fill light for sets. The Goya can be equipped with any of the major light bank manufacturers products to convert the Goya into a daylight "light box" with no hot spots.

- Complete range from 400 watts to the dual 6000/12000 watts
- Rugged stainless steel, scratch resistant, grey housing for durability
- Stainless steel scrims and wire guard to promote longevity
- Special, flexible, aluminium alloy, 8 leaf barn door for durability and optimal control
- Optional black reflector for special effects hard shadow projection and out rigger color frame



Dimensions shown are in mm.

USABLE LAMPS

USABLE LAMPS Manufacturer	2500 W Model	4000 W Model
OSRAM	HMI 2500 w / SE	HMI 4000 w / SE
PHILIPS	MSR 2500 w HR	MSR 4000 w HR
Other manufacturers may be used as long as they meet completely the technical specifications of the above lamps		

WORKING CONDITIONS

↻ Working Position	Lighting fixture: Max. Tilting $\pm 90^\circ$ from horizontal			Lamp: S90
↻ Ambient Temperature, t_a	+45° C Max			
↻ Minimum distances from inflammable surfaces	Top 0,8 m.	Back 0,3 m.	Sides 0,3 m.	Front 6 m.

DEB DIGITAL ELECTRONIC BALLASTS



DIGITAL DEB 2,5-4 KW MOD. 2535

- **Protection for high or low input voltage:** Avoids ballast breakage in case of wrong mains connection (for instance 380V)
 - **Power factor correction (active line filter)**
 - **16 Digit LED display:** It include a membrane keypad in order to activate different functions, Multi-language menu, System diagnostic, DMX addressing, DATA LOG (hour counter for lamp/ballast operation, record of diagnostic status). Output Frequency set up (for high speed electronic shutter in PAL or NTSC)
 - **Local, Remote and DMX Control**
 - **Low noise & flicker free selector**
 - **Self adjusting cooling system**
 - **Dual Power output with automatic selection**
 - **Output short circuit & arc to ground protection**
- Constant output lamp power
 - Quartz generated output frequency

ELECTRICAL PERFORMANCES

Input Voltage	95-135 V
	185-265 V
Nominal effective input current	38 A (4kw) – 23-5 A (2.5 kw) at 110 V
	20 A (4kw) – 12.5 A (2.5 kw) at 220 V
Efficiency (Average)	> 0.93
Power Factor (Average)	> 0.95
Dimmer Range	30%
On/Off Control	Local Remote or DMX

WEIGHTS & DIMENSIONS

dimensions	inches	mm
Width (A)	10.63	270
Height (B)	12.6	320
Depth (C)	14.76	374
weight	lbs	kg
	48.4	21.95
Working Position	Ballast with control panel facing front	
Ambient Temperature & umidity allowed	- 20...+45° C	
	IP23	

DIGITAL DEB 1,2-2,5 KW MOD. 2525



- (in case the lighting fixture is intended for use with the 2500W lamp only)
 - Protection for high or low input voltage: Avoids ballast breakage in case of wrong mains connection (for instance 380V)
 - Power factor correction (active line filter)
 - 16 Digit LED display: It include a membrane keypad in order to activate different functions, Multi-language menu, System diagnostic, DMX addressing, DATA LOG (hour counter for lamp/ballast operation, record of diagnostic status). Output Frequency set up (for high speed electronic shutter in PAL or NTSC)
 - Local, Remote and DMX control
 - Low noise & flicker free selector
 - Self adjusting cooling system
 - Dual Power output with automatic selection
- Output short circuit & arc to ground protection
 - Constant output lamp power
 - Quartz generated output frequency

ELECTRICAL PERFORMANCES

Input Voltage	95-135 V
Nominal effective input current	12.5 A (1.2kw) – 26 A (2.5 kw) at 110 V
	6.20 A (1.2 kw) – 13 A (2.5 kw) at 220 V
Efficiency (Average)	> 0.93
Power Factor (Average)	> 0.95
Dimmer Range	30%
On/Off Control	Local Remote or DMX

WEIGHTS & DIMENSIONS

dimensions	inches	mm
Width (A)	10.63	270
Height (B)	10.63	270
Depth (C)	14.96	379
weight	lbs	kg
	48.4	21.95
Working Position	Ballast with control panel facing front	
Ambient Temperature & umidity allowed	- 20...+45° C IP23	

PHOTOMETRIC DATA

PHOTOMETRIC DATA GOYA 2.5-4 kW

TYPICAL DISTANCES		FEET				METERS			
		20'	40'	60'	80'	6,1	12,2	18,3	24,4
LIGHT CENTER VALUES	Candle Power	Footcandles				Lux			
4 kW	115.000	287	72	32	18	3.091	773	343	193
2,5 kW	68.000	170	42	19	11	1.827	457	203	114
BEAM ANGLE (50% of center value) W/O ACCESSORIES		F.C. AT ANY DISTANCE = Candle Power : (distance in ft) ² BEAM SIZE (W x H in feet)				LUX. AT ANY DISTANCE = Candle Power : (distance in ft) ² BEAM SIZE (W x H in meters)			
WIDTH	85,0°	36,7'	73,4'	110,0'	146,0'	11,2 mt	22,4 mt	33,5 mt	44,7 mt
HEIGHT	85,0°	11,5'	15,0'	18,5'	21,9'	11,2 mt	22,4 mt	33,5 mt	44,7 mt

GOYA 2.5-4 kW VERSIONS & MODEL NUMBERS

Mod.	SYSTEMS DESCRIPTION (230 V)
2740.600	GOYA 2500/4000 W Dual Power System 230 V, including: <ul style="list-style-type: none"> • Head Mod. 2740.110 • DEB 2500/4000 Dual Power Flicker Free electronic ballast Mod. 2535.110 • Without lamp
2740.610	GOYA 2500/4000 W Dual Power System 230 V, including: <ul style="list-style-type: none"> • Head Mod. 2740.110 • DEB 2500/4000 Dual Power Flicker Free electronic ballast Mod. 2535.110W • MSR 4000W / HR lamp
2740.680	GOYA 2500/4000 W Dual Power Kit 230 V, including: <ul style="list-style-type: none"> • Head Mod. 2740.110 • DEB 2500/4000 Dual Power Flicker Free electronic ballast Mod. 2535.100 • Fly case for complete kit Mod. 2748.601 • MSR 4000W/HR lamp
Mod.	SYSTEMS DESCRIPTION (120/230 V)
2740.700	GOYA 2500/4000 W Dual Power System 120/230 V, including: <ul style="list-style-type: none"> • Head Mod. 2740.110 • DEB 2500/4000 Dual Power Flicker Free electronic ballast Mod. 2535.210 • Without lamp
2740.710	GOYA 2500/4000 W Dual Power System 120/230 V, including: <ul style="list-style-type: none"> • Head Mod. 2740.110 • DEB 2500/4000 Dual Power Flicker Free electronic ballast Mod. 2535.210 • MSR 4000W/HR lamp
2740.780	GOYA 2500/4000 W Dual Power Kit 120/230 V, including: <ul style="list-style-type: none"> • Head Mod. 2740.110 • DEB 2500/4000 Dual Power Flicker Free electronic ballast Mod. 2535.210 • Fly case for complete kit Mod. 2748.601 • MSR 4000W/HR lamp
Mod.	Product Details
2740.110	Goya 2500/4000W Single Ended Stainless Steel Daylight Broadlight-Floodlight with New Igniter including: M.O. Fixture with U.V. protecting glass and safety mesh, 05 mt. cable tall with MIL in-line male connector Mod. 2740.101 – 7,5 mt. detachable cable Mod. 2431.100 – eight way barndoor Mod. 2746.200, M.O. stirrup Mod. 2740.110.40
2535.110	DEB 2500/4000 W CE-230 V (MIL Version) Digital Flicker Free electronic ballast including: main input 185/265 V, 50/60 Hz, with PFC (power factor correction) – display with DATA LOG – Local/Remote/DMX control selector (In DMX mode it occupies 1 channel: ON/OFF + DIMEER) – dimmer range: 30% power = 50% light intensity – protected to output short circuits and 380 V high voltage input – quartz generated output frequency – 2 mt. detachable main cable (INPUT) – MIL

2535.210	connector (OUTPUT) – XLR 5 pin panel mounted Male and Female (DMX remote control) DEB 2500/4000 W 120/230 V (MIL Version) Digital Flicker Free electronic ballast including: main input 95/135 V and 185/265 V, 50/60 Hz, with PFC (power factor correction) – display with DATA LOG – Local/Remote/DMX control selector (in DMX mode it occupies 1 channel: ON/OFF + DIMMER) – dimmer range: 30% power = light intensity – protected to output shorts circuits and 380V high voltage input – quartz generated output frequency – 2 mt. detachable main cable (INPUT) – MIL connector (OUTPUT) – XLR 5 pin panel mounted Male and Female (DMX remote control)
-----------------	--

GOYA 2.5-4 kW ACCESSORIES TYPES & MODEL NUMBERS

<i>MOD.</i>	<i>OPTIONAL & ACCESSORIES</i>
2740.110.40	Steel tube (M.O.) stirrup with 28,57 mm. spigot (B.S. 1 1/8"), with top end for attachment to "C" clamp.
2740.300.40	Steel tube (M.O.) stirrup with 28,00 mm. spigot (D.I.N)
2431.100	7,5 mt. extension cable
2431.200	15 mt. extension cable
2744.100	Black reflector kit
2744.200	White reflector kit
2746.200	Eight way barndoor
2747.100	Outrigger colour frame
2747.110	Outrigger colour frame holding kit
2749.100	Set of scrims - Stainless steel
2749.101	Full single scrim - Stainless steel
2749.102	Full double scrim - Stainless steel
2749.103	1/2 single scrim - Stainless steel
2749.104	1/2 double scrim - Stainless steel
2748.611	Fly case for Goya 2500/4000W head, accessories and DEB ballast
2535.611	Fly case for DEB 2500/4000W DUAL Ballast
DGP-B200	HIGH WIND-UP STAND

