



GOYA 1200 W Compact Daylight BROADLIGHT



Mod. 2730

FEATURES

SPECIFICATIONS:

Compact HMI Open Face PAR

PHYSICAL:

- Brushed stainless steel anti-magnetic construction for noise reduction
- Double wall & internal baffle ventilation enables lighting base down to 60° from vertical position
- Finished with silver gray, high temperature, anti-scratch powder coat paint
- Locking rear knob protected by a safety cover for easy re-lamping
- Equipped with heavy duty rear & bottom mounted tubular skids
- Supplied with a UV safety glass & stainless steel wireguard
- Spring loaded integral barndoor holder with safety catch
- Reinforced steel tube yoke with 1" male spigot attached for C-clamp and side mounted cable holding loop
- Clutch activated T-handle for secure, single hand operation
- UL Listed

ELECTRICAL 115-240V, 50/60Hz

- Six foot (6') attached head to ballast cable
- Equipped with silent igniters to operate from electronic or magnetic ballasts
- Weatherproof on/off push buttons
- IP23 rain tested

LAMP 1200w Maximum

- High voltage insulated G22 9.5 bi-pin socket for single ended HMI lamps (see table for suitable lamps)
- Capable of hot re-strike
- Collar clamping holds lamp firmly without stressing the electrical contacts

OPTICAL/ FOCUS MECHANISM

- Specially designed reflector with optics that produce a 90° beam spread of flat even light across the entire field

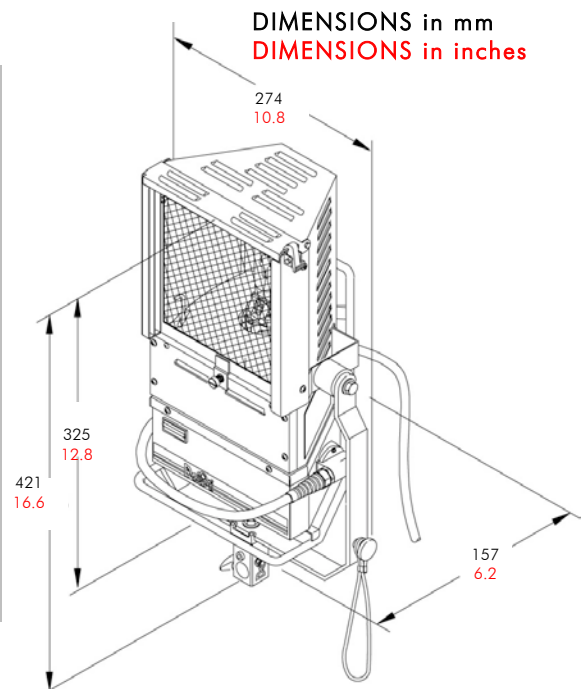
PHOTOMETRIC DATA

Values measured with MSR 1200 HR					
		METERS			
TYPICAL DISTANCES		6 mt	9 mt	12 mt	15 mt
Candle Power		Lux			
LIGHT CENTER VALUE	30.750	854	380	214	137
BEAM ANGLE Width x Height		LUX. AT ANY DISTANCE = Candle Power : (distance in ft) ² BEAM SIZE (W x H in meters)			
WIDTH	80°	10,1	15,1	20,1	25,2
HEIGHT	90°	12,0	18,0	24,0	30,0

Values measured with MSR 575 W					
		FEET			
TYPICAL DISTANCES		20'	30'	40'	50'
Candle Power		Footcandles			
LIGHT CENTER VALUE	14.274	77	34	19	12
BEAM ANGLE Width x Height		LUX. AT ANY DISTANCE = Candle Power : (distance in ft) ² BEAM SIZE (W x H in meters)			
WIDTH	90°	33.6	50.4	67.2	84.0
HEIGHT	87°	40.0	60.0	80.1	100.1

ORDERING INFORMATION

MOD.	DESCRIPTION
2730	HMI broadlight with 6' attached head to ballast cable and flat aluminum yoke with 5/8" receiver
2730.600/S	System with 6' attached head to ballast cable, heavy duty tubular steel yoke with 1" spigot, eight leaf barndoor, DEB 575/1200w dual power flicker free electronic ballast and 25' head to ballast extension cable
2730.610/S/L	System with 6' attached head to ballast cable, heavy duty tubular steel yoke with 1" spigot, eight leaf barndoor, DEB 575/1200w dual power flicker free electronic ballast, 25' head to ballast extension cable and 1200MSR lamp
2730.680/K/S/L	Kit with 6' attached head to ballast cable, heavy duty tubular steel yoke with 1" spigot, eight leaf barndoor, DEB 575/1200w dual power flicker free electronic ballast, 25' head to ballast extension cable, 1200MSR lamp and fly case for entire kit



ACCESSORIES

MOD.	DESCRIPTION
2515.205	DEB 575/1200w dual flicker free electronic ballast 185/265v, 50/60Hz, low noise and 35% dimming capability, with 6' detachable main cable (MIL connector)
2736.200	Eight leaf barndoor
2737.100	Black reflector kit
2737.110	White reflector kit
2734.200	Four piece stainless steel scrim set
2739/100	Diffuser glass
2730/2	Mini aluminum c-clamp
2730.601	Fly case for 2730.680/K/S/L kit
2515.601	Fly case for DEB 575/1200w ballast
2011.100	Cable head to ballast 1200w, 25'
2011.200	Cable head to ballast 1200w, 50'
DGP-A110	Combo stand w/ lazy leg, 1" socket & spigot
DGP-A9000	Caster wheel set with 4" diameter, braked