



# SHERPA

ALL TERRAIN CAMERA MOTORIZED CRANE PLATFORM

Engineered for complex shooting scenarios

Crane configurations: Super Techno Crane 50\30

**TECHNICAL DATA SHEET**

---

[www.panalight.it](http://www.panalight.it)



# HERO NUMBERS

DIMENSIONS and WEIGHT

4,90 mt

BASE LENGTH

3,0 mt

VEHICLE HEIGHT

5000 kg

VEHICLE ONLY

7000 kg

WITH STC 50

2,10 mt

TOTAL WIDTH

4WD / RWD

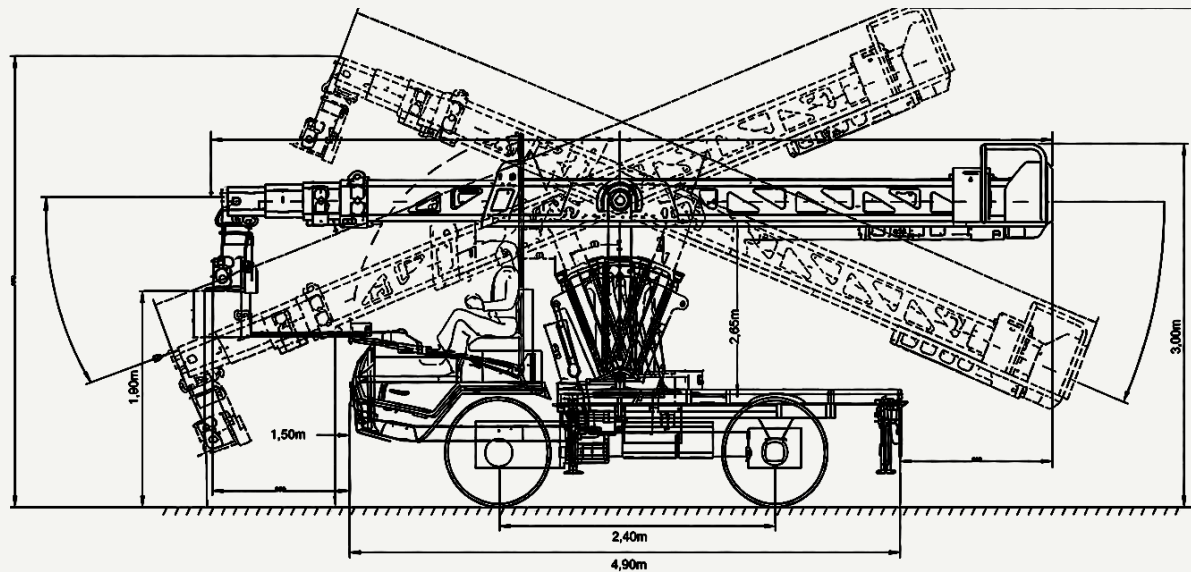
DRIVE OPTIONS

4 + 4

FORWARD / REVERSE GEARS

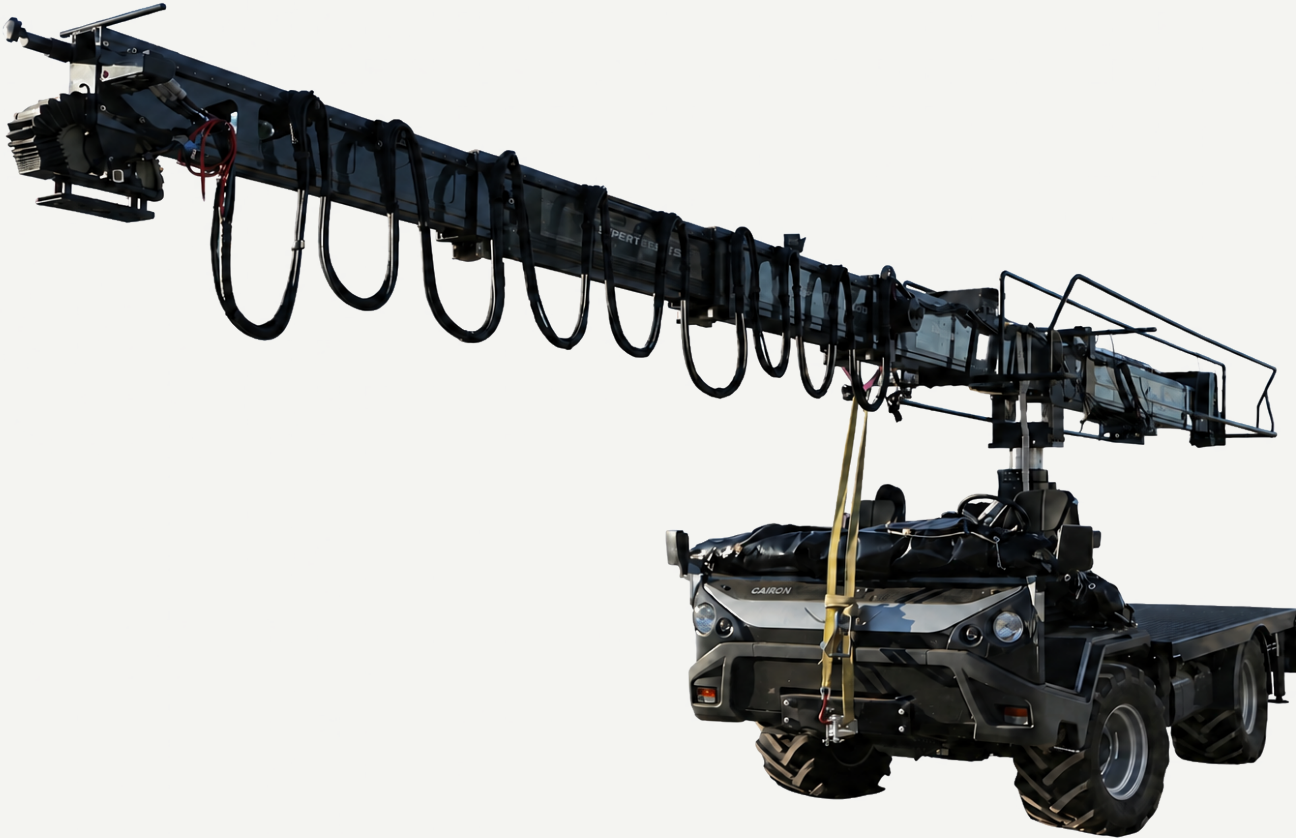
Up to 30°

LEVELING COLUMN



# SYSTEM OVERVIEW

SHERPA BASE + SUPERTECHNO CRANE 50 TELESCOPIC CRANE



## What it is

A diesel-powered tracking vehicle configured for heavy telescopic crane work, providing a robust base for long-reach camera movement and complex shooting scenarios.

## Where it works

Uneven ground, sand, mountain roads and challenging outdoor locations where a standard crane base would struggle. Also suitable as a self-propelled motorized base for crane positioning.

A self-propelled motorized base for Technocrane positioning and controlled camera movement