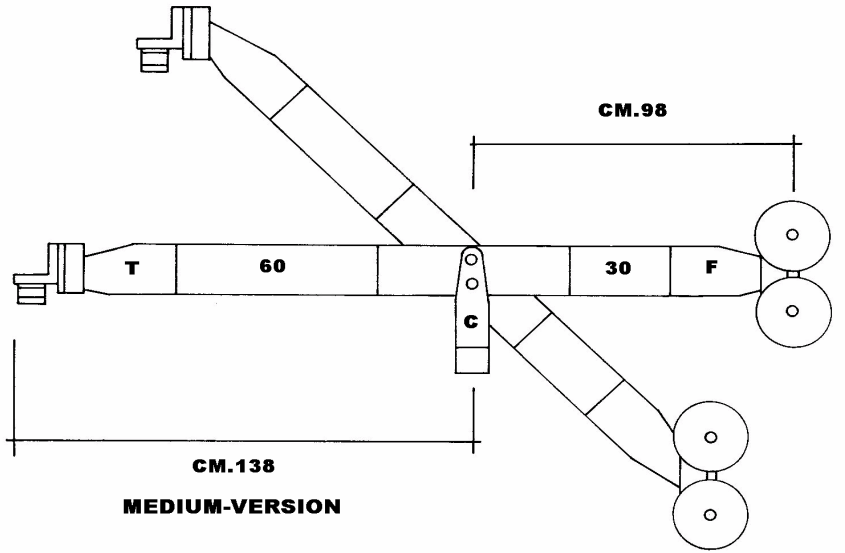
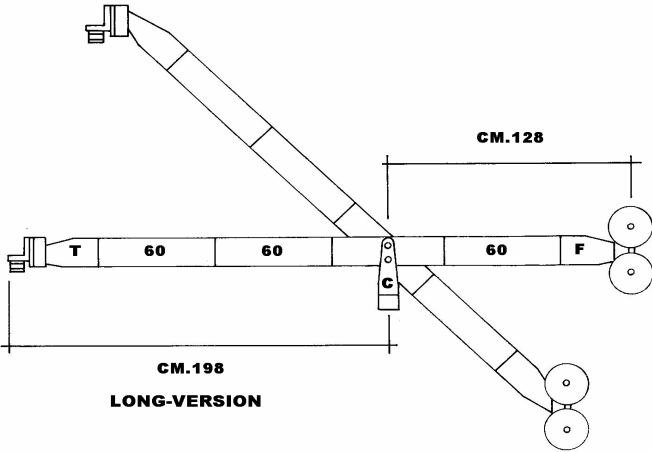


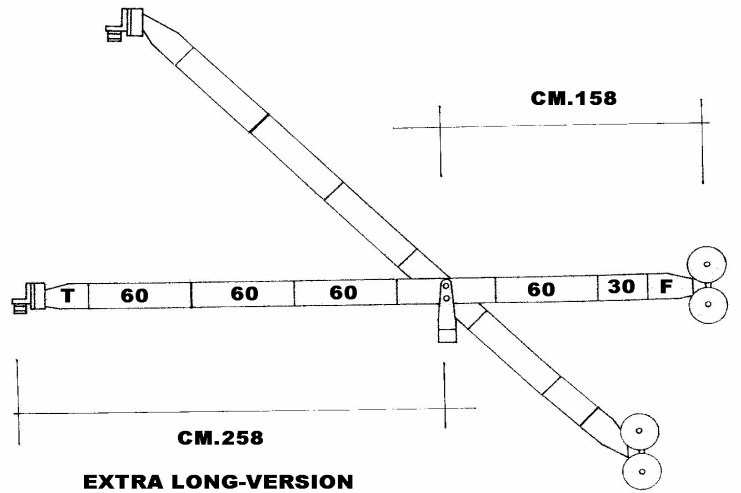
SHORT-VERSION



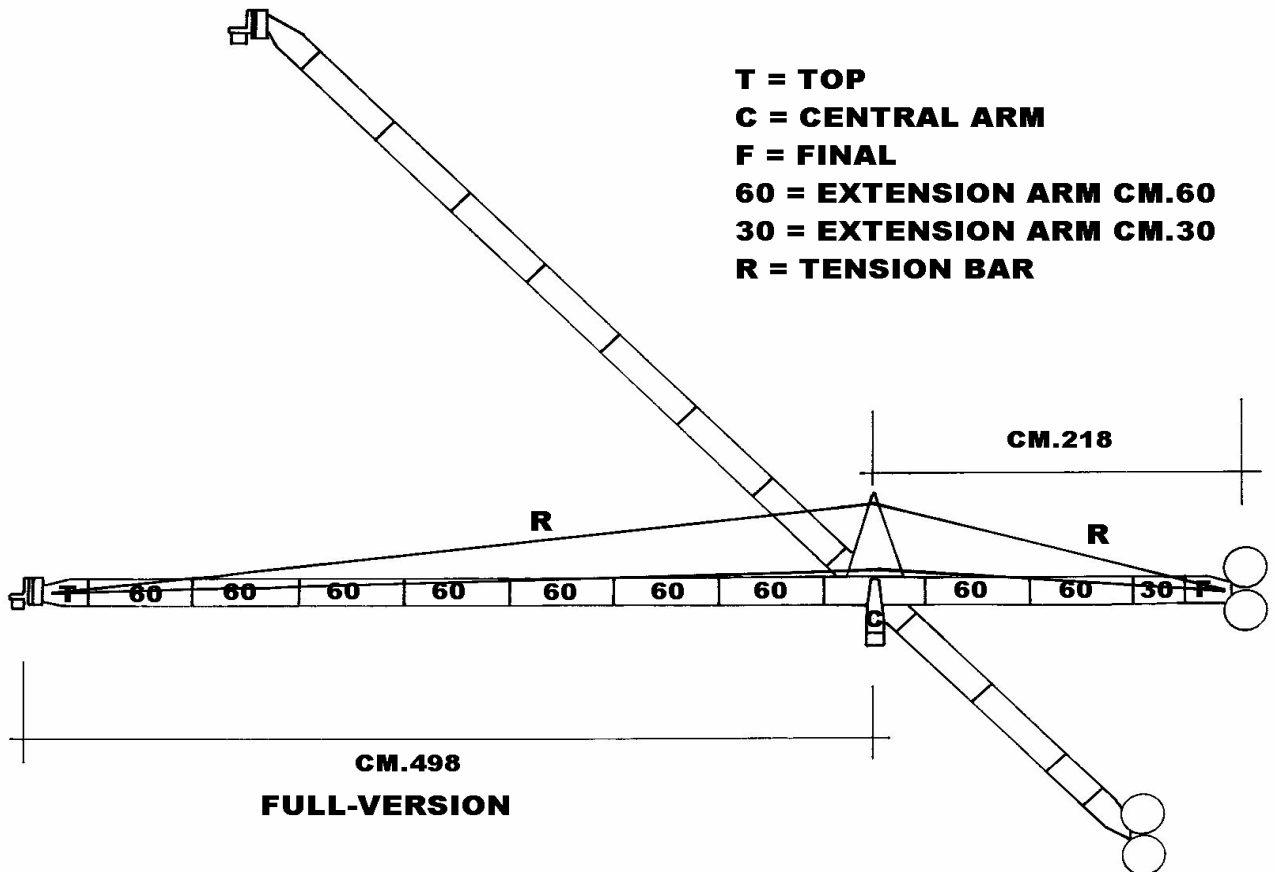
MEDIUM-VERSION



LONG-VERSION



EXTRA LONG-VERSION



FULL-VERSION

T = TOP
C = CENTRAL ARM
F = FINAL
60 = EXTENSION ARM CM.60
30 = EXTENSION ARM CM.30
R = TENSION BAR

