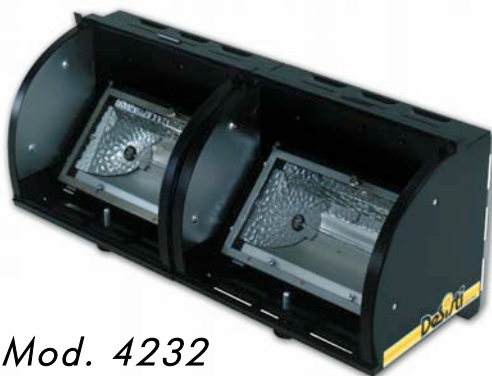




DUCCIO MK2

Quartz – Halogen Ground Cyclorama Lights

Mod. 4230



Mod. 4232



Mod. 4233



Mod. 4234

The DUCCIO is a compact, high quality & modular ground-row lighting fixture, with an exceptionally even output over the projected area, achieving a uniform distributed illumination of backgrounds.

Its modular construction allows various configuration by combining 2, 3 or 4 pieces of the basic compartment. Each compartment accepts linear quartz-halogen lamps with R7s caps 118 mm. overall length:

- 118 mm (Mod. N° xxx.210) 120 V & 230-240V lamps available Max. Power 1.000W per lamp

The standard compartments are equipped with individual power cord of 1 m., but multi-pin versions are available on request for multiple compartments configurations.

FEATURES

- Compact, construction and modular design for cyclorama ground-row illumination, using linear tungsten-quartz-halogen filament lamps having R7s sockets and length of 118mm.
- Rugged and Lightweight Carbon Steel housing with low glare black epoxy powder coating, with front curved supports for filter frame, in order to hold the colored filters almost perpendicular to the output light rays and guarantee best output energy transmission and no color aberration.
- Compact overall housing with tilt adjustable foot, hinges on sides and bottom cam-locks to attach compartments together in either linear or corner arrangements.
- High efficiency convection cooling.
- High Efficiency and innovative optical system for homogeneous illumination of backgrounds. The reflector of the Duccio is formed by three different sectors:

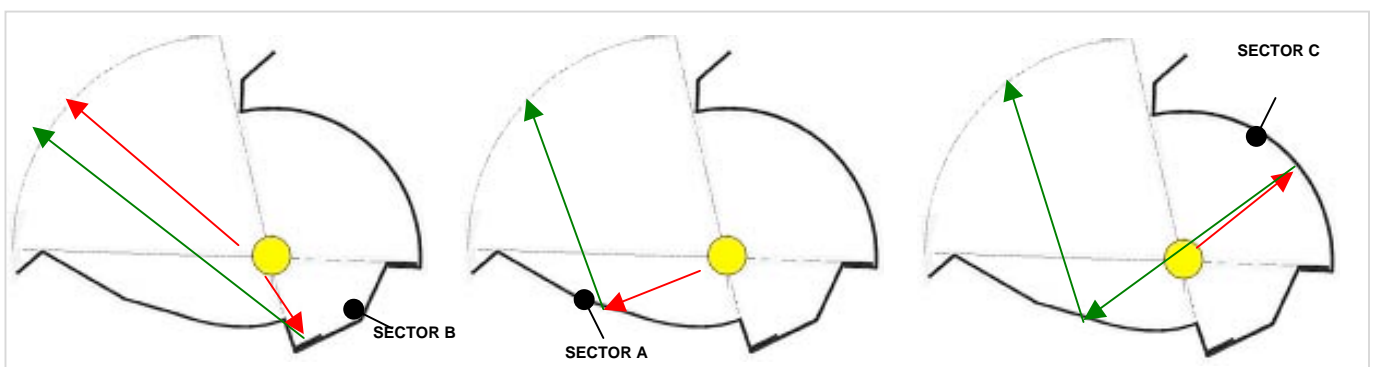
SECTOR B: this portion of reflector is formed by a diffused material and is contributing for lighting the lower/medium region of the cyclorama height and has a special shape to avoid the lamp filament image projection on the background.

SECTOR A: this section is reflecting and conveying a big amount of light to the top part of the cyclorama, in order to compensate the longer distance of such part from the fixture and to obtain the even illumination of the background. This sector is built using a special semi-diffused aluminum.

SECTOR C: this portion of reflector is shaped as a spherical sector and it is built with a high reflectivity aluminum. The light rays emitted by the lamp are reflected by the SECTOR C back to SECTOR A and therefore used to lit the top of the cyclorama.



DUCCIO REFLECTOR SYSTEM



Such a unique optical system is guaranteeing not only the asymmetrical emission required, but an higher efficiency of the DUCCIO if compared with other competitive products. Also the special shape of the optical system is permitting the savings on the overall height of the lighting fixture.

- Flexible filter frame per compartment, to keep the gel tangential to the light output rays so as to achieve the best coefficient of transmission of the color filters, avoiding their overheating and eliminating color aberration on the projection.

- Each lamp compartment is equipped with a stainless steel wire guard.
- The accessories are secure regardless of the orientation of the fixture.

ORDERING CODES

DUCCIO Ground Row Cyclorama Luminaires Lamp Length 118 mm.

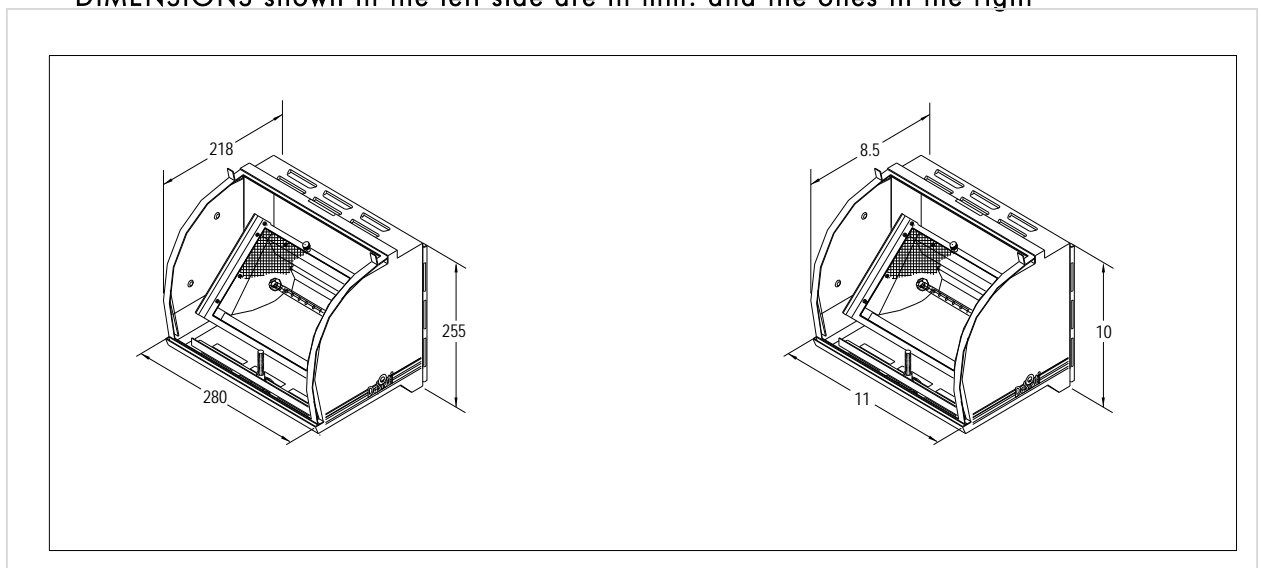
Mod.	Description
4230.200	Duccio "1" One Compartment Unit, for lamp length 118 mm, including wire guard, color frame, 2 mt. cable each compartment
4232.200	Duccio "2" Two Compartment Unit, for lamp length 118 mm, including wire guard, color frame, 2 mt. cable each compartment
4233.200	Duccio "3" Three Compartment Unit, for lamp length 118 mm, including wire guard, color frame, 2 mt. cable each compartment
4234.200	Duccio "4" Four Compartment Unit, for lamp length 118 mm, including wire guard, color frame, 2 mt. cable each compartment

USABLE LAMPS

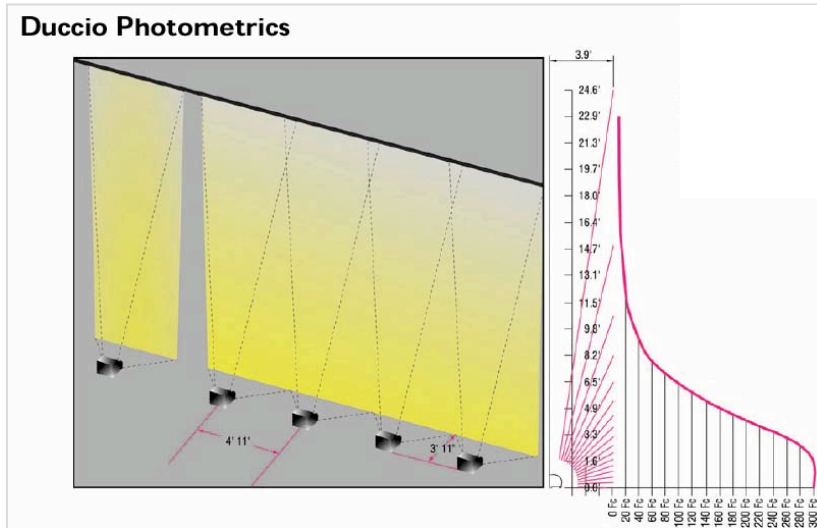
USABLE LAMPS - length-watt-filament	230 v		120 v	
	ANSI	LIF	ANSI	LIF
119 – 1000 – sc 8	-	P2/20	FCM	P2/28

DIMENSIONS

DIMENSIONS shown in the left side are in mm. and the ones in the right



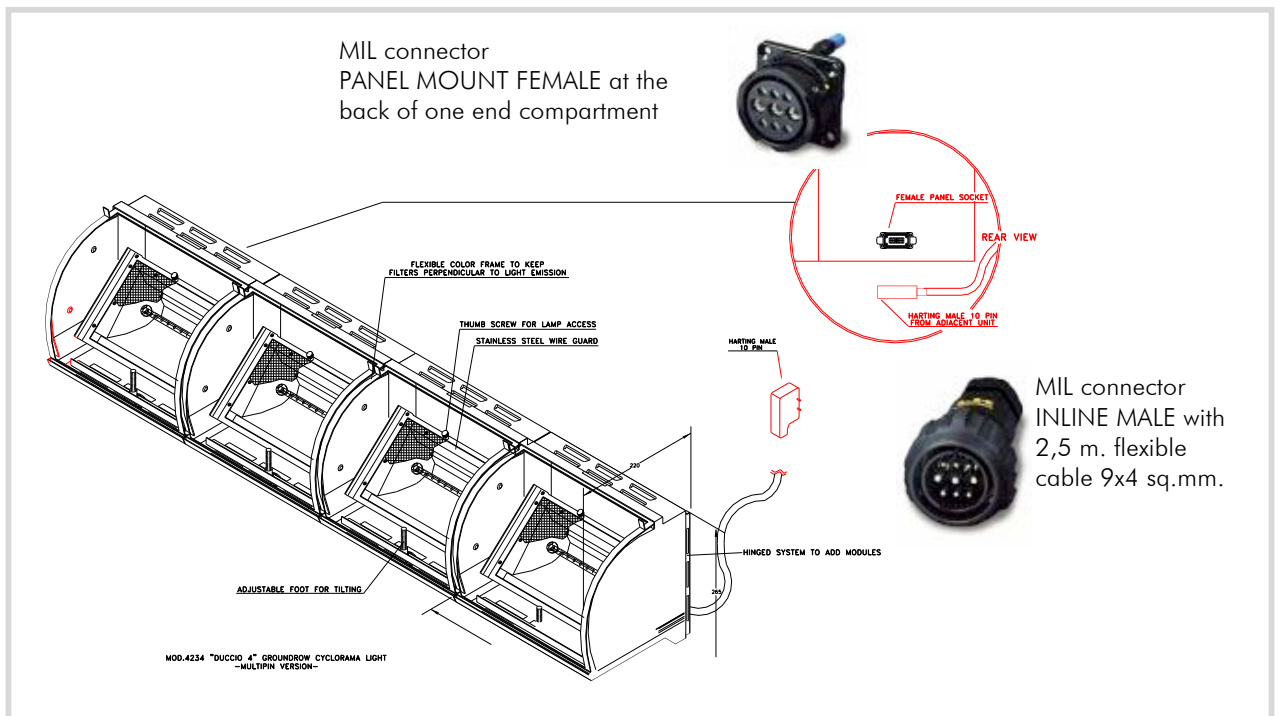
PHOTOMETRIC DATA



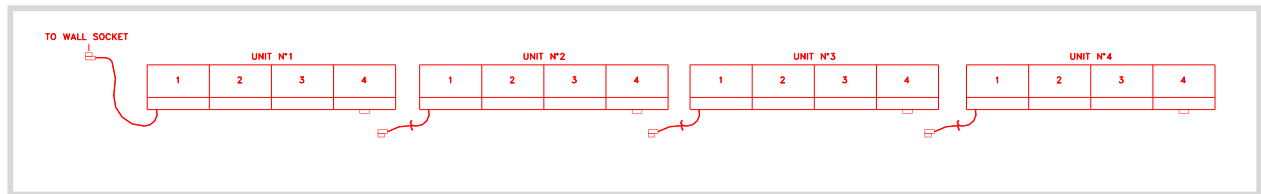
Measurements are taken with photocell facing the horizontal axis and using FCM 1 kW lamp on each compartment.
 The light output of one unit cannot be measured in isolation as the total distribution is produced by overlaps of adjacent units

MULTIPIN CONNECTOR VERSION (MIL)

The DUCCIO 4 MULTIPIN is available with different types of CONNECTORS: the two most utilized standards are either the rectangular HARTING or the circular MIL types, both having a mechanical locking device (Captive) once inserted in the mating connector.



Typical Daisy Chain connection of 4 adjacent units:



IMPROVEMENTS INTRODUCED by the DUCCIO MARK 2

The newer OPTIMIZED OVERHEAD CYCLORAMA LIGHTING UNIT, the DUCCIO MARK II, is introducing the following improvements over the previous successful standard DUCCIO:

- **ENERGY SAVING, LOWER POWER CONSUMPTION & LOWER HEAT:**

The DUCCIO Mk2 grants numerically equivalent lighting performance, consuming 20% less power, (1000 W instead of 1.250 W).

Consequently, not only there is a constant Power Saving, but also the thermal load is reduced of the same percentage.

In addition to the measured illumination values on the Cyclorama, it is important to notice the uniformity and even distribution of the light projected on the cloth.

- **LONGER COLOUR FILTERS LIFE:**

The lower power utilized and consequently the lower INFRARED projection, permit a reduced wearing of the colour filters, which are kept perpendicular to the light emitted in front of the unit to optimize the transmission.

- **COMPACT DIMENSIONS:**

The compact housing dimensions permit MULTI-COMPARTMENT units to be assembled in a row, in order to avoid vertical space occupancy and to optimize multicoloured light beam projection precise overlapping, when utilizing the colour mixing arrangements.