

# TRUE BLUE

New Daylight Fresnel

**ARRI**®





## THE EVOLUTION

---

### Of Authentic ARRI TRUE BLUE Lighting Continues...

Following the introduction of the True Blue tungsten lampheads, ARRI is proud to present four new products making up the True Blue Daylight series – all offering the same innovative features and award-winning design. Building on the success of the industry-standard ARRI Compact Fresnels, the new D5, D12, D25 and D40 have over 30 new improvements. With reduced weight, compact size and maximum light output, the TRUE BLUE Daylight series sets a new standard for professional lighting equipment.

Pressure die cast and extruded aluminium components have reduced the overall weight of the TRUE BLUE fixtures without any sacrifice in quality or durability. Many components now offer greater strength and resistance to corrosion.

ARRI's cross cooling system\* reduces both lamp housing temperature and lens temperature, enabling the lampheads to be operated at even a 90° tilt angle. Special air channels built into the aluminium extrusion direct a constant stream of air around the Fresnel lens and into the lamphead, even when the light is pointing directly up or downwards.

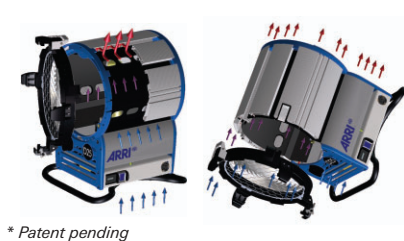
At the heart of the TRUE BLUE concept is a redesigned stirrup and improved tilt lock. The stainless steel friction disc locks the lamphead securely, even when heavy accessories such as large Chimeras are in use. To make balancing the lamphead even easier, the sliding stirrup mounting can be adjusted to counterbalance these front-mounted accessories. The new extruded aluminium stirrup is stronger, lighter and less bulky, but still permits full fixture rotation; its soft contour also makes the lamphead more comfortable to carry. Improved barndoors are stronger and less susceptible to bending, with a new hinge design that maintains constant, easily adjusted tension.

Routine maintenance and repair are easier with fast, simple access to all internal components: the complete igniter, for example, can be changed within ten minutes. Cleaning a TRUE BLUE lamphead is rendered an effortless task by its smooth lamp housing surfaces. ARRI has redesigned these new lampheads down to the smallest detail, offering lighting professionals better choices for location and studio work.

*\* Patent pending*

## Cross Cooling\*

ARRI's cross cooling\* system moves a stream of air around the Fresnel lens and through the lamphead. In addition, air is channeled through the aluminium extrusion housing, reducing lens and housing temperatures. Cross cooling\* allows ARRI TRUE BLUES to safely operate at almost any tilt angle.



\* Patent pending

## Adjustable Accessory Brackets

Finally an easy solution to an old problem. Location crews need space in the accessory bracket for up to four scrims; studio crews suffer from the light leak this creates. Now two-position TRUE BLUE accessory brackets quickly adjust in or out for two or four scrims. By reducing the space between the scrims and the lens, unwanted reflected and spill light is minimised.



Two Scrim Position

Four Scrim Position

## Sliding Stirrup

Modern fixtures use a wide variety of Chimeras, scrollers and other front mounted accessories. Simply slide ARRI's innovative stirrup bracket to quickly and easily adjust the fixture's centre of gravity.



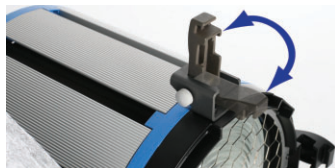
## Tilt Lock

ARRI's new design creates a positive lock so there's no slippage when using heavy accessories. A stainless steel friction disc functions like a disc brake allowing the lamphead to be completely locked off with a minimum of force.



## Top Latch

The Location Top Latch is specially coated for improved corrosion resistance and is spring loaded for fast operation even when hot.



## Barndoors

New ARRI barndoors use a special alloy with a high strength-to-weight ratio. The leaves in our new design withstand bending and deforming far better than traditional barndoors. In addition, leaves are now easily tightened to avoid slipping and the larger leaf design provides better control and sharper cutoff. The same features are incorporated in a new optional eight leaf barndoor.

## Maintenance

TRUE BLUE fixtures have been designed for serviceability with more common parts across the line. Removing a maximum of six universal Torx screws provides easy access to all interior parts. TRUE BLUES require only three Torx drivers to disassemble the complete fixture.

ARRI's new aluminium extrusion makes cleaning fixtures easy and our new paint process ensures that TRUE BLUES will look as great as they perform.



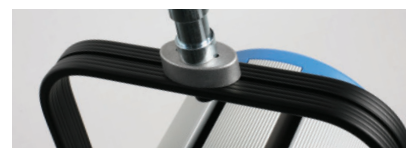
## Barndoor Safety Catch

Although the top latch holds accessories securely at any tilt angle, both Studio and Location lampheads feature a second safety catch mounted on the bottom accessory bracket. This eliminates the need for a barndoor safety bond without restricting the rotation.



## Stirrup Contour

Easy to carry, ARRI's new aluminium extrusion stirrup is smooth, incredibly strong and extremely lightweight.



## Stainless Steel Lens Protection

The laser cut hexagonal safety mesh maximizes light transmission and is tough enough to withstand location abuse.



## Improved Weather Protection/IP23

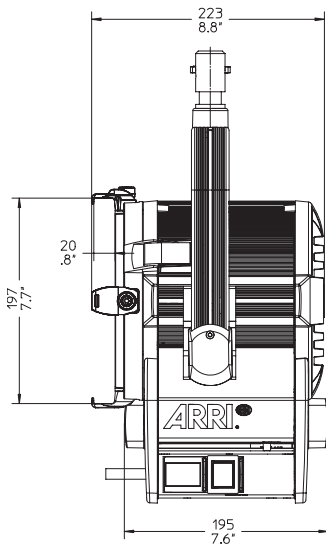
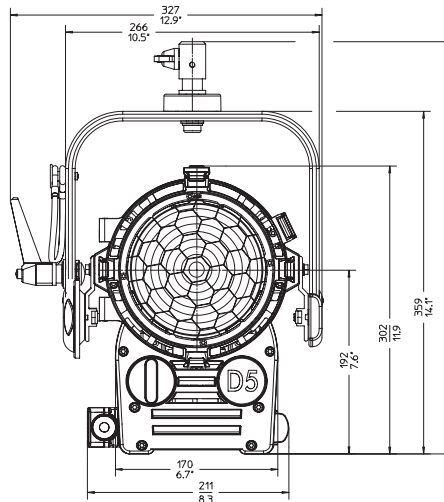
TRUE BLUE fixtures are manufactured to the IP23 standard and are suitable for indoor use or outdoor use providing a degree of protection against falling rain (up to a 60° angle from vertical).



## Safety Certification

All True Blue fixtures carry not only CE declaration but also an independently assessed TUV certification.





### Part No. Description

L1.33770.B	D5 575W Daylight Fresnel Lamphead, manual, blue/silver, int. (VEAM)	
L1.33775.B	D5 575W Daylight Fresnel Lamphead, manual, black, int. (VEAM)	

### Electronic Ballasts\*

#### Part No. Description

L2.76125.0	EB 575/1200W, 115/230V, int. (VEAM)
L2.76260.0	EB 400/575W, ALF, 115/230V, int. (VEAM)
L2.76425.0	EB 575/1200W,ALF, 115/230V, int. (VEAM)
L2.76230.0	AC/DC EB 575/1200W, 115/230V AC, 24/48-60V DC int. (VEAM)
L2.76671.0	EB 575/1200/2500/4000W, ALF, 230V, int. (VEAM)

### Conventional Ballasts\*

#### Part No. Description

L2.75010.E	CB 575W, 230V, int. (VEAM)
------------	----------------------------

### Accessories

L2.39670.0	Four Leaf Barndoor
L2.39700.0	Eight Leaf Barndoor
L2.79690.0	Filter Frame
L2.79680.0	Variable Snoot
L2.79660.0	Set of 4 Scrims (without bag)
L2.88913.1	Scrim bag
L2.75600.0	Head to ballast cable, 575/1200W, 7m, int. (VEAM)
L2.75600.C	Head to ballast cable, 575/1200W, 15m, int. (VEAM)

### Lamp Type

Metal Halide	HMI 575/SE G22
--------------	----------------

### Specifications

Weight	5.9kg
Lens Diameter	150mm (5.9") low expansion borosilicate Fresnel lens
Reflector	Spherical specular high purity aluminium
Mounting	Combination mount for 16mm (5/8") or 28mm (1 1/8")
Protection Class	IP23
Certification	NRTL-US-C, CE, TÜV GS, CB
Packed size	390x390x360mm
Packed weight	7.5kg

### Photometric Data

Throw (m):		6	8	12
<b>Spot:</b>	Output (lux)	8931	5023	2233
	Diameter (m)	0.6	0.8	1.3
<b>Medium:</b>	Output (lux)	1925	1083	481
	Diameter (m)	3.2	4.2	6.3
<b>Flood:</b>	Output (lux)	804	452	201
	Diameter (m)	6.3	8.4	12.6

1000 lux gives correct exposure for 200ASA film with aperture T4 at 24fps

For light output at any distance visit [arri.com](http://arri.com) and click on photometric calculator

\*German TV standard Schaltbau connector versions also available

Part No.	Description
L1.33730.B	D12 1200W Daylight Fresnel Lamphead, manual, blue/silver, int. (VEAM)
L1.33735.B	D12 1200W Daylight Fresnel Lamphead, manual, black, int. (VEAM)

### Electronic Ballasts\*

Part No.	Description
L2.76125.0	EB 575/1200W, 115/230V, int. (VEAM)
L2.76425.0	EB 575/1200W,ALF, 115/230V, int. (VEAM)
L2.76230.0	AC/DC EB 575/1200W, 115/230V AC, 24/48-60V DC int. (VEAM)
L2.76625.0	EB 1200/1800, ALF, 115/230 V, int. (VEAM)
L2.76626.0	EB 1200/1800, ALF, 115/230 V, int. (VEAM), DMX
L2.76626.A	EB 1200/1800, ALF, 115/230 V, int. (VEAM), DMX, USA - Version.
L2.76671.0	EB 575/1200/2500/4000W, ALF, 230V, int. (VEAM)

### Conventional Ballasts\*

Part No.	Description
L2.75012.E	CB 1200W, 230V, int. (VEAM)

### Accessories

L2.39870.0	Four Leaf Barndoor
L2.39900.0	Eight Leaf Barndoor
L2.79890.0	Filter Frame
L2.79880.0	Variable Snoot
L2.79860.0	Set of 4 Scrims (without bag)
L2.88914.1	Scrim bag
L2.75600.0	Head to ballast cable, 575/1200W, 7m, int. (VEAM)
L2.75600.C	Head to ballast cable, 575/1200W, 15m, int. (VEAM)

### Lamp Type

Metal Halide	HMI1200/SE G38
--------------	----------------

### Specifications

Weight	9.9kg
Lens Diameter	175mm (6.9") low expansion borosilicate Fresnel lens
Reflector	Spherical specular high purity aluminium
Mounting	28mm (1 1/8")
Protection Class	IP23
Certification	NRTL-US-C, CE, TÜV GS, CB
Packed size	460x400x650mm
Packed weight	12.3kg

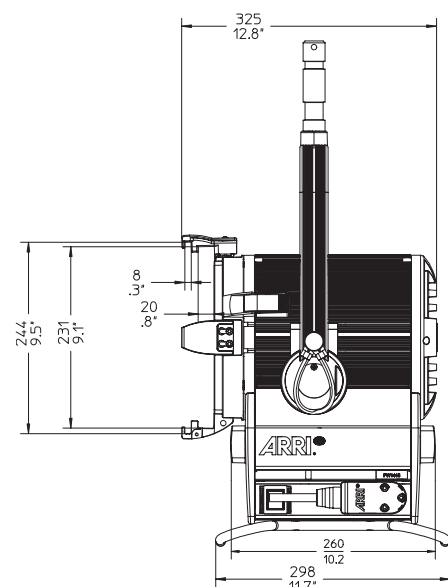
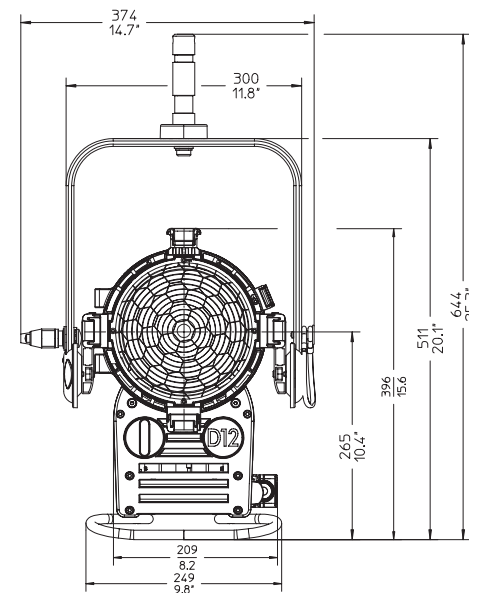
### Photometric Data

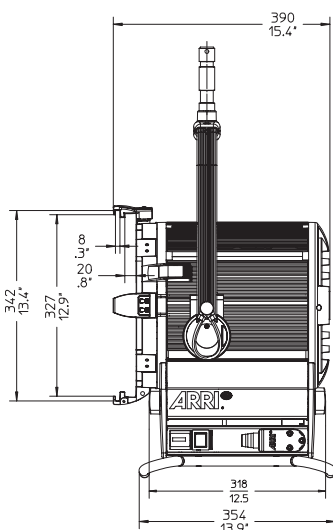
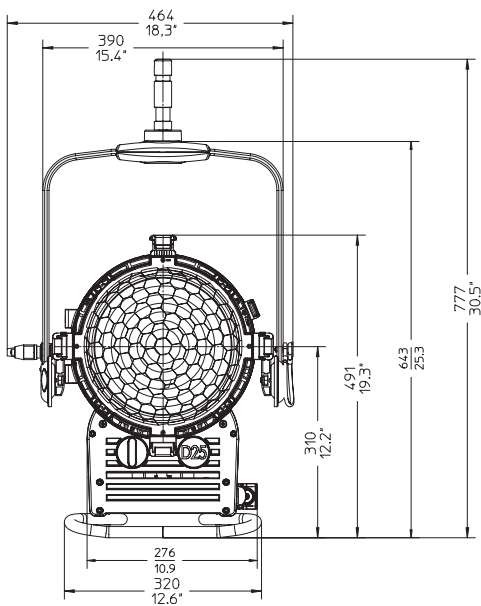
Throw (m):		8	12	16
<b>Spot:</b>	Output (lux)	9246	4109	2312
7.5°	Diameter (m)	1.0	1.6	2.1
<b>Medium:</b>	Output (lux)	2154	957	538
30°	Diameter (m)	4.2	6.3	8.4
<b>Flood:</b>	Output (lux)	1092	485	273
50°	Diameter (m)	7.5	11.2	14.9

1000 lux gives correct exposure for 200ASA film with aperture T4 at 24fps

For light output at any distance visit [arri.com](http://arri.com) and click on photometric calculator

\*German TV standard Schaltbau connector versions also available





### Part No. Description

L1.33670.B	D25 2500W Daylight Fresnel Lamphead, manual, blue/silver, int. (VEAM)	
L1.33675.B	D25 2500W Daylight Fresnel Lamphead, manual, black, int. (VEAM)	

### Electronic Ballasts\*

#### Part No. Description

L2.76635.0	EB 2500W, 115/230V, ALF, int. (VEAM)
L2.76640.0	EB 2.5/4kW, 230V, ALF, int. (VEAM)
L2.76675.0	EB 2.5/4kW, 115/230V, ALF, int. (VEAM)
L2.76671.0	EB 575/1200/2500/4000W, ALF, 230V, int. (VEAM)
L2.76195.0	EB 6000 Universal (2.5/4/6kW), ALF, 230V, int. (VEAM)

### Conventional Ballasts\*

#### Part No. Description

L2.75014.E	CB 2500W, 230V, int. (VEAM)
------------	-----------------------------

### Accessories

L2.40950.0	Four Leaf Barndoor
L2.40960.0	Eight Leaf Barndoor
L2.80970.0	Filter Frame
L2.80975.0	Variable Snoot
L2.80980.0	Set of 4 Scrims (without bag)
L2.88915.1	Scrim bag
L2.75620.0	Head to ballast cable, 2.5/4kW, 7m, int. (VEAM)
L2.75260.C	Head to ballast cable, 2.5/4kW, 15m, int. (VEAM)

### Lamp Type

Metal Halide	HMI 2500/SE G38
--------------	-----------------

### Specifications

Weight	14.5kg
Lens Diameter	250mm (10") low expansion borosilicate Fresnel lens
Reflector	Spherical specular high purity aluminium
Mounting	28mm (1 1/8")
Protection Class	IP23
Certification	NRTL-US-C, CE, TÜV GS, CB
Packed size	550x510x690mm
Packed weight	17.2kg



### Photometric Data

Throw (m):		12	16	20
<b>Spot:</b>	Output (lux)	11269	6339	4057
6°	Diameter (m)	1.3	1.7	2.1
<b>Medium:</b>	Output (lux)	1924	1082	693
30°	Diameter (m)	6.4	8.6	10.7
<b>Flood:</b>	Output (lux)	852	479	307
59°	Diameter (m)	13.6	18.1	22.6

1000 lux gives correct exposure for 200ASA film with aperture T4 at 24fps

For light output at any distance visit [arri.com](http://arri.com) and click on photometric calculator

\*German TV standard Schaltbau connector versions also available

Part No.	Description
L1.34000.B	D40 4000W Daylight Fresnel Lamphead, manual, blue/silver, int. (VEAM) 
L1.34005.B	D40 4000W Daylight Fresnel Lamphead, manual, black, int. (VEAM) 

### Electronic Ballasts\*

Part No.	Description
L2.76640.0	EB 2.5/4kW, 230V, ALF, int. (VEAM)
L2.76675.0	EB 2.5/4kW, 115/230V, ALF, int. (VEAM)
L2.76671.0	EB 575/1200/2500/4000W, ALF, 230V, int. (VEAM)
L2.76195.0	EB 6000 Universal (2.5/4/6kW), ALF, 230V, int. (VEAM)

### Conventional Ballasts\*

Part No.	Description
L2.75870.E	CB 4000W, 230V, int. (VEAM)

### Accessories

L2.41200.0	Four Leaf Barndoor
L2.41210.0	Eight Leaf Barndoor
L2.81220.0	Filter Frame
L2.81225.0	Variable Snoot
L2.81230.0	Set of 4 Scrims (without bag)
L2.88916.1	Scrim bag
L2.75620.0	Head to ballast cable, 2.5/4 kW, 7m, int. (VEAM)
L2.75260.C	Head to ballast cable, 2.5/4 kW, 15m, int. (VEAM)

### Lamp Type

Metal Halide	HMI 4000/SE G38
--------------	-----------------

### Specifications

Weight	17.7kg
Lens Diameter	300mm (11.8") low expansion borosilicate Fresnel lens
Reflector	Spherical specular high purity aluminium
Mounting	28mm (1 1/8")
Protection Class	IP23
Certification	NRTL-US-C, CE, TÜV GS, CB
Packed size	600x600x770mm
Packed weight	20.9kg

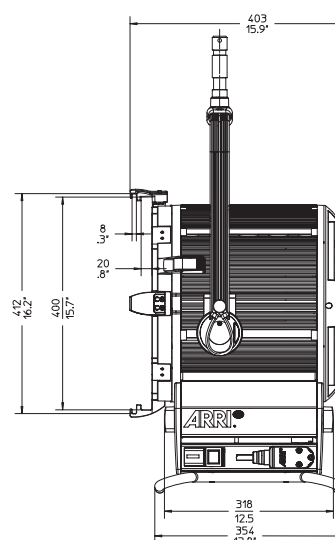
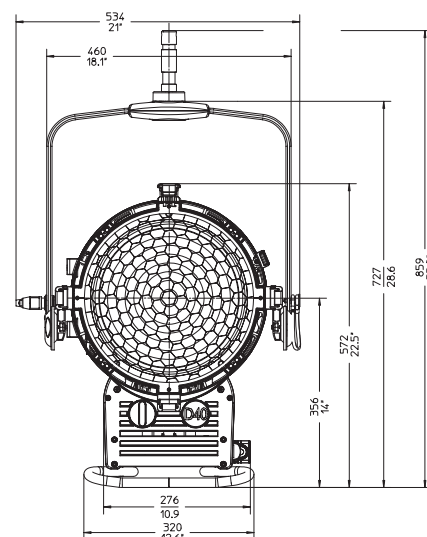
### Photometric Data

Throw (m):		16	20	24
<b>Spot:</b>	Output (lux)	7717	4939	3430
6.5°	Diameter (m)	1.8	2.3	2.7
<b>Medium:</b>	Output (lux)	1766	1130	785
30°	Diameter (m)	8.6	10.7	12.9
<b>Flood:</b>	Output (lux)	760	486	338
61°	Diameter (m)	18.8	23.6	28.3

1000 lux gives correct exposure for 200ASA film with aperture T4 at 24fps

For light output at any distance visit [arri.com](http://arri.com) and click on photometric calculator

\*German TV standard Schaltbau connector versions also available



### **Germany**

Arnold & Richter Cine Technik GmbH & Co. Betriebs KG.  
Pulvermühle, D-83071 Stephanskirchen  
Tel: +49(0)8036-3009-0, Fax: +49(0)8036-2471

ARRI Lighting Solutions GmbH  
Ernst-Augustin Str. 12, D-12489 Berlin  
Tel: + 49(0)30-678233-0, Fax: +49(0)30-678233-99

### **Great Britain**

ARRI GB Limited (Sales & Service)  
2 Highbridge, Oxford Road, Uxbridge, Middlesex, UB8 1LX, Great Britain  
Tel: +44 (0)1895 457 000, Fax: +44 (0)1895 457 001

### **Italy**

ARRI Italia S.r.l. (Sales & Service, Milan)  
Viale Edison 318, 20099 Sesto San Giovanni (Milano), Italy  
Tel: +39 (02)262 271 75, Fax: +39 (02)242 1692

ARRI Italia S.r.l. (Sales & Service, Rome)  
Via Placanica 97, 00040 Morena (Roma), Italy  
Tel: +39 (06)79 89 021, Fax: +39 (06)79 89 02 206

### **USA**

ARRI Inc. (Sales & Service, East Coast)  
617 Route 303, Blauvelt, NY 10913-1109, USA  
Tel: +1 (845)353 1400, Fax: +1 (845)425 1250

ARRI Inc. (Sales & Service, West Coast)  
600 North Victory Blvd., Burbank, CA 91502-1639, USA  
Tel: +1 (818)841 7070, Fax: +1 (818)848 4028

### **Canada**

ARRI Canada Limited (Sales & Service)  
415 Horner Ave, Unit 11 & 12, Toronto, Ontario M8W 4WS, Canada  
Tel: +1 (416)255 3335, Fax: +1 (416)255 3399

### **Australia**

ARRI Australia PTY Limited  
Unit 6C, 5 Talavera Road, Macquarie Park NSW 2113, Sydney, Australia  
Tel: +61 (2)9855 4308, Fax: +61 (2)9855 4301

### **Hong Kong**

ARRI ASIA Limited  
Office 3B on 29/F, The Centrium, 60 Wyndham Street, Central, Hong Kong  
Tel: + 852 2571 6288 Fax: + 852 2875 9181