



## Main Features

With the ALEXA XT cameras (Extended Technology) ARRI is refreshing the ALEXA product line, incorporating new features inspired by feedback from professional users. These features will expand on the benefits that have already made ALEXA such an extraordinary success – highest overall image quality and lowest overall production cost through reliability, ergonomics and efficient workflows.

The ALEXA XT, ALEXA XT M, ALEXA XT Plus and ALEXA XT Studio cameras will replace all previous models except for the original ALEXA. Owners of existing ALEXA cameras will be able to purchase individual upgrades that deliver most of the features of the ALEXA XT cameras.

### ALEXA XT KEY FEATURES

- ✓ In-camera ARRIRAW at 120 fps
- ✓ Internal Filter Module
- ✓ 4:3 sensor
- ✓ New viewfinder mounting

### Refresh of the ALEXA camera family

- ALEXA XT, ALEXA XT M, ALEXA XT Plus, ALEXA XT Studio

### Faster, lighter and more affordable ARRIRAW

- In-camera ARRIRAW up to 120 fps onto XR Capture Drives
- Fast, rugged and reliable 512 GB XR Capture Drives
- Proven, efficient and flexible Codex ARRIRAW workflow

### Faster and longer ProRes/DNxHD in-camera recording

- ProRes or DNXHD up to 120 fps onto XR Capture Drives
- 107 minutes of ProRes 4444 at 24 fps
- In-camera ProRes or DNXHD up to 60 fps onto SxS PRO cards with SxS Adapter
- Proven, efficient and flexible ProRes/DNxHD workflow

### High quality internal full spectrum ND filters

- Internal Filter Module IFM-1 reduces weight, reflections and hassle
- Neutral color balance at all densities through full spectrum (FS) ND coating
- High contrast through anti-reflective multi-coating
- High image sharpness through precision polishing
- ALEXA XT cameras have IFM-1 filter holder pre-installed
- Filters available separately in 8 densities from ND 0.3 to ND 2.4

### True anamorphic with a 4:3 Sensor

- 4:3 on all ALEXA XT models
- Anamorphic de-squeeze license included
- Greater reframing options for spherical shoots

### High speed license included

### More efficient VFX through lens metadata

- LDS PL Mount on all ALEXA XT models

### Viewfinder Mounting Bracket VMB-3

- Greater operating comfort and flexibility
- Strong and rigid construction
- Special hard, low friction anodizing on all moving parts
- 15 mm lightweight rods hold viewfinder mount
- Rods can take lens motors, matte boxes, follow focus etc.
- Built-in bubble level
- Optional new, stronger Viewfinder Extension Bracket VEB-3
- VEB-3 fold-out arm holds viewfinder when moving camera

### Super silent ALEXA XT fan

Note: ProRes 4444 at 120 fps and DNXHD will be available in a later software update



ALEXA XT

ALEXA XT M

ALEXA XT Plus

ALEXA XT Studio

### Faster, lighter and more affordable ARRIRAW

All ALEXA XT cameras come with the new XR Module (Extended Recording), a side panel that was co-developed with Codex and that replaces the previous SxS Module. The XR Module allows in-camera ARRIRAW recording up to 120 fps onto exceptionally fast and rugged 512 GB XR Capture Drives. This not only makes for a smaller, lighter and more affordable camera package, it also simplifies setup and operation while avoiding unnecessary cabling. The result is an even faster and more reliable way to record ARRIRAW, ALEXA's highest quality image output.

Once removed from the camera, the XR Capture Drive offers a number of different paths into post for every budget and time schedule demand, using the proven Codex workflow. First, the small and affordable Single Dock USB3 allows safe copying of data to a Retina MacBook Pro. Second, the Dual Dock can make clones of XR Capture Drives and connect to a Mac Pro via SAS (Serial Attached SCSI) for high speed copying. The included software provides all features for an efficient digital lab. And third, the Codex Vault is a modular, rugged and complete solution for copying, archiving, metadata management, reporting or dailies creation with the greatest ease and highest speed.



### Faster and longer ProRes/DNxHD in-camera recording

In addition to ARRIRAW it is also possible to capture ProRes or DNxHD to an XR Capture Drive for significantly longer recording times as well as ProRes 4444 recording at 120 fps. ProRes 4444 at 24 fps can be recorded for a total time of 107 minutes. And recording onto SxS PRO cards is also possible: with an SxS Adapter it is possible to record ProRes or DNxHD to a single SxS PRO card, thus protecting the inventory of existing cards.

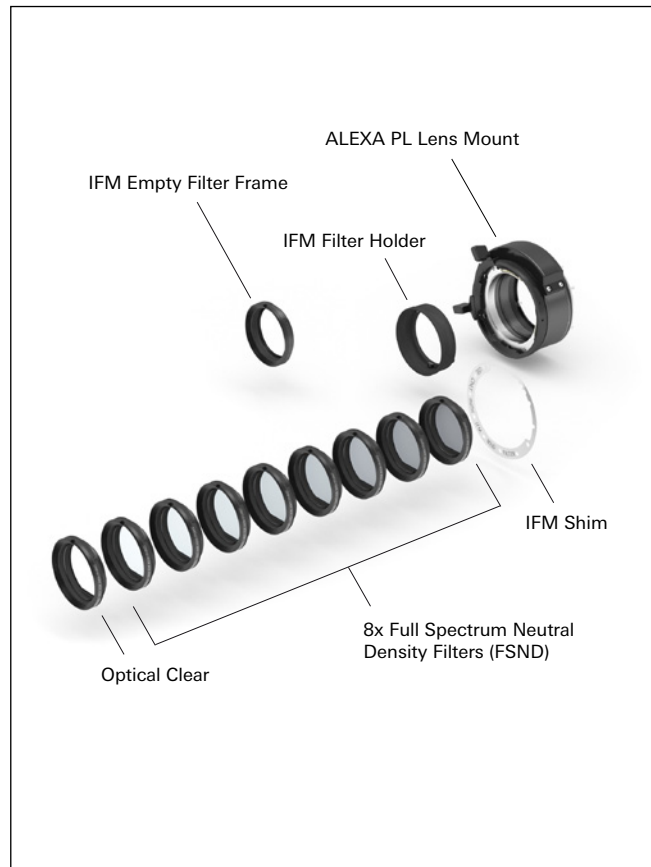
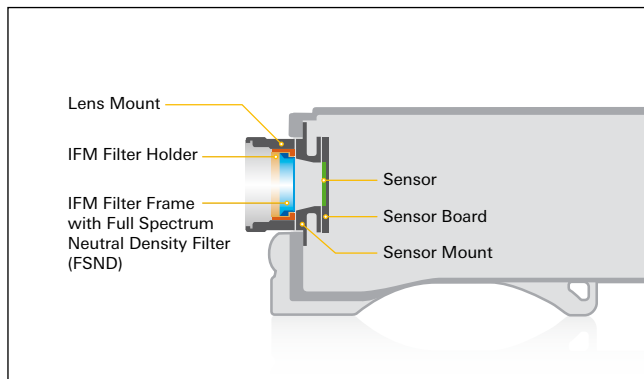
As an extra feature, the black protective top cover of the XR Module can be replaced with red, green, blue, yellow or white top covers to identify A, B, C, D, E and F camera units.



### High quality internal full spectrum ND filters

The In-camera Filter Module IFM-1 allows ALEXA XT cameras to be rated at the base sensitivity of EI 800 without the need for external Neutral Density (ND) filters, even in bright sunlight. Filtering behind the lens rather than in front saves time and reduces weight, reflections and complexity. In addition it decreases narcissism, which is an unwanted reflection between the last lens element and the sensor and protects the sensor from dirt contamination during lens changes.

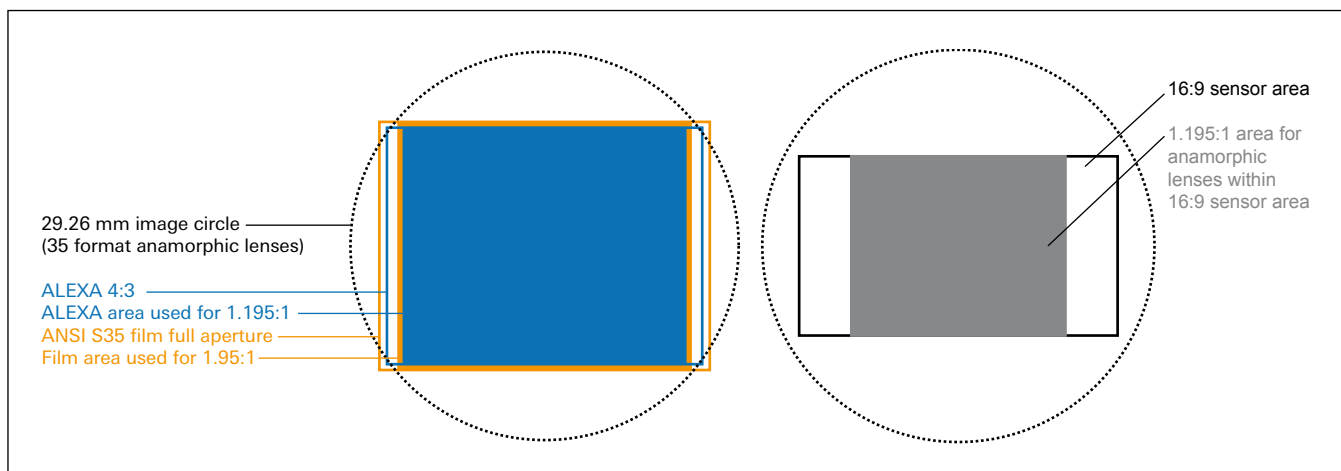
The FSND (Full Spectrum Neutral Density) filters used with the IFM-1 are based on a number of high-tech manufacturing methods that are very different from those used for external filters. A neutral color balance at all densities is achieved through a broadband absorptive coating that attenuates the full spectrum. To maintain a high contrast, an anti-reflective multi-coating reduces internal reflections. A sharp image is assured through a base of water-white optical glass that is precision polished to create perfectly parallel surfaces. While all ALEXA XT cameras come with the IFM filter holder installed, the FSND filters are available separately in 8 densities from ND 0.3 to ND 2.4 plus an optical clear.



### True anamorphic with a 4:3 sensor

For the most effective use of anamorphic lenses, each ALEXA XT model is equipped with a 4:3 sensor, the same size and shape as a Super 35 mm film frame. This is crucial for delivering the unique and cinematic widescreen look that can trace its origins back to the CinemaScope films of the 1950s. It is a look that has long been

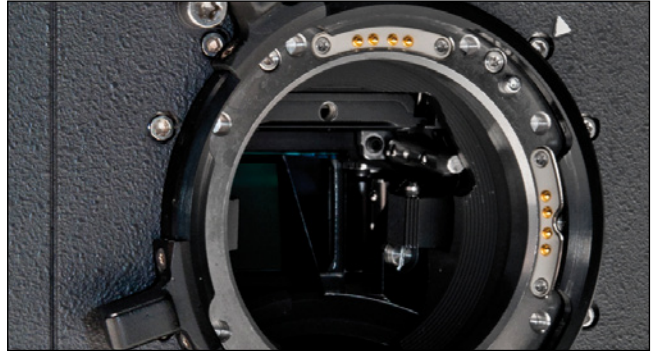
appreciated by cinematographers, directors and the viewing public. An anamorphic de-squeeze license is included with all ALEXA XT cameras, as is a high speed license for filming at up to 120 fps. The 4:3 sensor is also useful for non-anamorphic productions as it permits significant reframing of the image in post, similar to shooting 4-perforation 35 mm.



### More efficient VFX through lens metadata

Lens metadata is invaluable for efficient working on the set and for a speedy VFX post workflow, which is why all ALEXA XT models are equipped with an LDS lens mount. The ARRI Lens Data System (LDS) reads the position of all lens rings and writes them into metadata in every ALEXA recording format. Over 41 ARRI lens models have LDS built-in, including the ARRI/Zeiss Master Anamorphics,

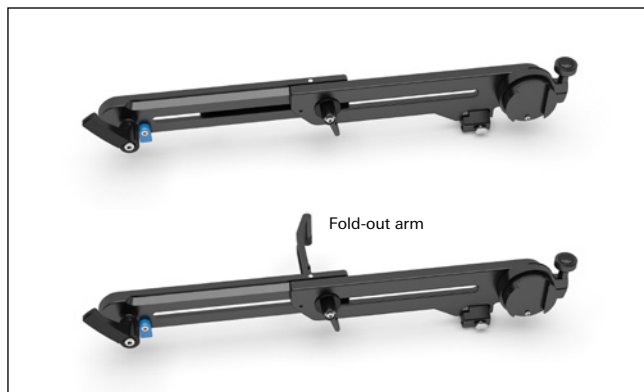
ARRI/Zeiss Master Primes, ARRI/Zeiss Master Macro 100, ARRI/Zeiss LDS Ultra Primes, ARRI/Zeiss Master Zoom 16.5-110, ARRI/Fujinon Alura Lightweight Zoom 15.5-45 and ARRI/Fujinon Alura Lightweight Zoom 30-80. For all other lenses it is possible to gather lens metadata by using an ARRI lens motor and a lens table stored in the camera (Lens Data Archive).



### Viewfinder Mounting Bracket VMB-3

To provide maximum comfort for the operator, the new Viewfinder Mounting Bracket VMB-3 has a much stronger and more rigid design, partially achieved through the use of two 15 mm lightweight rods. These rods also facilitate rapid changes in camera support, i.e. from a tripod to a crane or Steadicam, since accessories such as lens motors or follow focus units can be hung from them rather than cluttering up the base plate. A special anodizing process is used on all moving parts for a very hard yet low-friction surface and a bubble level allows for speedy leveling of the camera.

Also available as a separate accessory is the new Viewfinder Extension Bracket VEB-3, with a more sturdy design and a fold-out arm that holds the viewfinder securely in place when moving the camera.



### Super Silent ALEXA XT Fan

ALEXA cameras are already among the quietest digital cameras, but an even quieter fan has become available and ARRI has incorporated this new fan into the ALEXA XT models, providing an extra safety margin in very quiet or hot environments. The new fan can be identified by an orange dot on top.

